

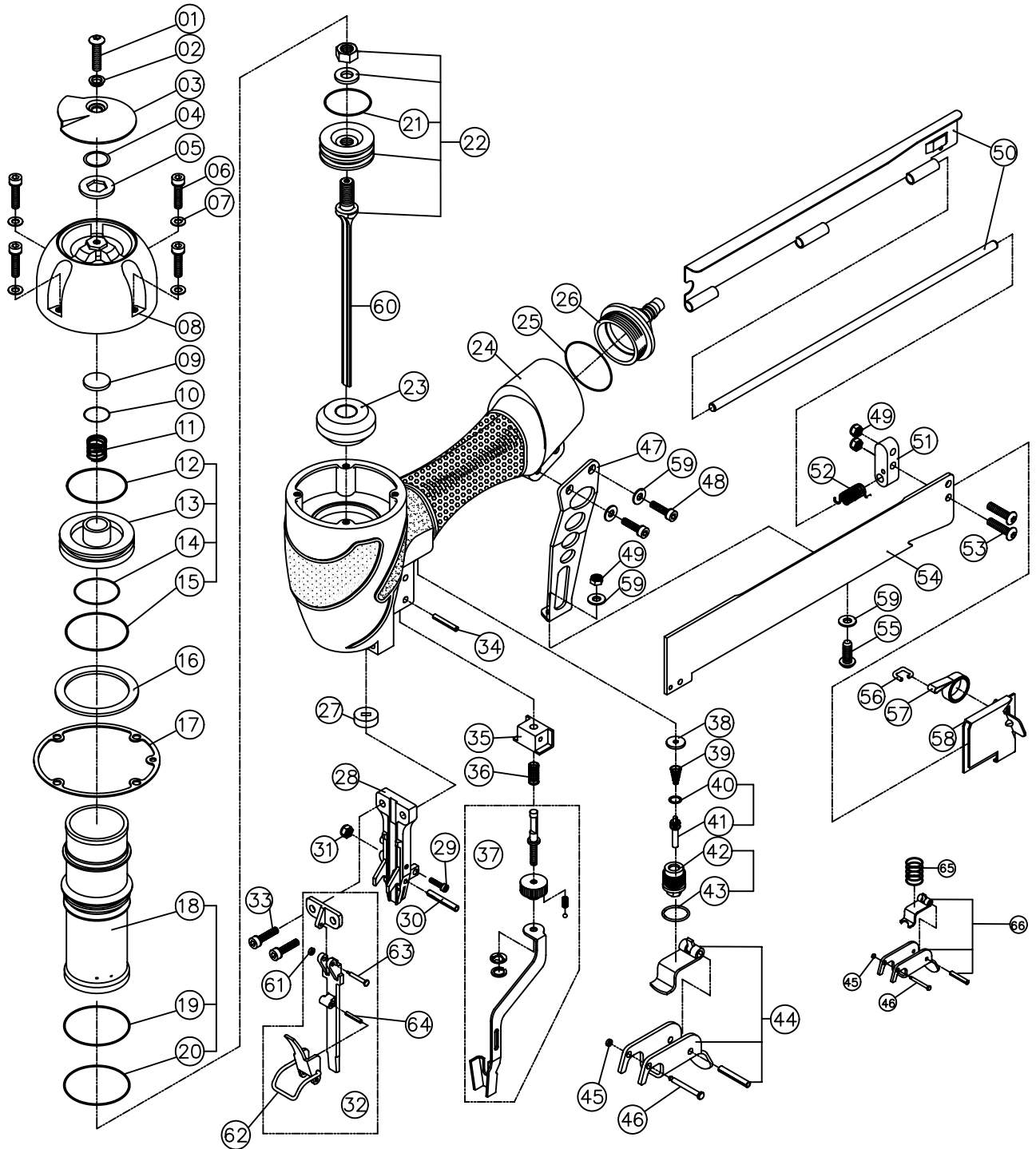
MODEL WS4840

THIS TOOL EQUIPPED WITH
A RESTRICTIVE TRIGGER

SPOTNAILS[®]

DIVISION OF PEACE INDUSTRIES, LTD.

1100 Hicks Rd
Rolling Meadows, IL 60008
Phone : 847-259-1620



8/12/03

SPOTNAILS MODEL WS4840

Ref No.	Part No.	Description
01	P-24370	Screw
02	P-96118	Bushing
03	P-70042	Exhaust Deflector
04	P-64377	O-Ring
05	P-32217	Washer
06	P-24300	Screw
07	P-32211	Flat Washer
08	P-60174	Cap
◆	09	P-15193 Exhaust Seal
◆	10	P-64384 O-Ring
◆	11	P-18331 Poppet Spring
◆	12	P-64385 Poppet O-Ring
◆	13	P-63038 Poppet
◆	14	P-64233 Piston Stop O-Ring
◆	15	P-64386 Cylinder Seal O-Ring
◆	16	P-03070 Guide Spacer
◆	17	P-62071 Gasket
◆	18	P-05097 Cylinder
◆	19	P-64387 Cylinder O-Ring
◆	20	P-64242 O-Ring
◆	21	P-64388 Piston O-Ring
◆	22	AS-06037 Piston & Driver Assembly
◆	23	P-15195 Bumper
◆	24	P-01261 Body
◆	25	P-64389 O-Ring
◆	26	P-60175 End Cap
◆	27	P-15196 Return Seal
◆	28	P-08465 Wear Plate
◆	29	P-24311 Screw
◆	30	P-07290 Roll Pin
◆	31	P-26125 Nut
◆	32	AS-10045 Front Plate Assembly
◆	33	P-24358 Screw

Ref No.	Part No.	Description
34	P-07291	Pin
35	P-53165	Safety Guide
36	P-18328	Spring
37	AS-53042	Safety Assembly
38	P-15194	Valve Seal
39	P-18283	Spring
40	P-64390	O-Ring
41	P-22165	Plunger
42	P-22166	Valve Housing
◆	43	P-64391 O-Ring
◆	44	AS-21008 Trigger Assembly
◆	45	P-64240 O-Ring
◆	46	P-07327 Trigger Pin
◆	47	P-13069 Bracket
◆	48	P-24306 Screw
◆	49	P-26126 Nut
◆	50	AS-99078 Magazine Cover Assembly
◆	51	P-05098 Fixed Spacer
◆	52	P-18332 Spring
◆	53	P-24301 Screw
◆	54	P-12405 Track
◆	55	P-24310 Screw
◆	56	P-18233 Spring Clip
◆	57	P-18232 Negator Spring
◆	58	P-09149 Pusher
◆	59	P-32144 Washer
◆	60	P-06228 Driver Blade
◆	61	P-64434 O-Ring
◆	62	AS-04035 Latch Assembly
◆	63	P-07356 Step Pin
◆	64	P-07352 Roll Pin
◆	65	P-18267 Spring
◆	66	AS-21019 Sequential Trigger

◆ Parts Included In AS-97281 O-Ring And Seal Kit