

MODEL XB1564

THIS TOOL EQUIPPED WITH
A RESTRICTIVE TRIGGER

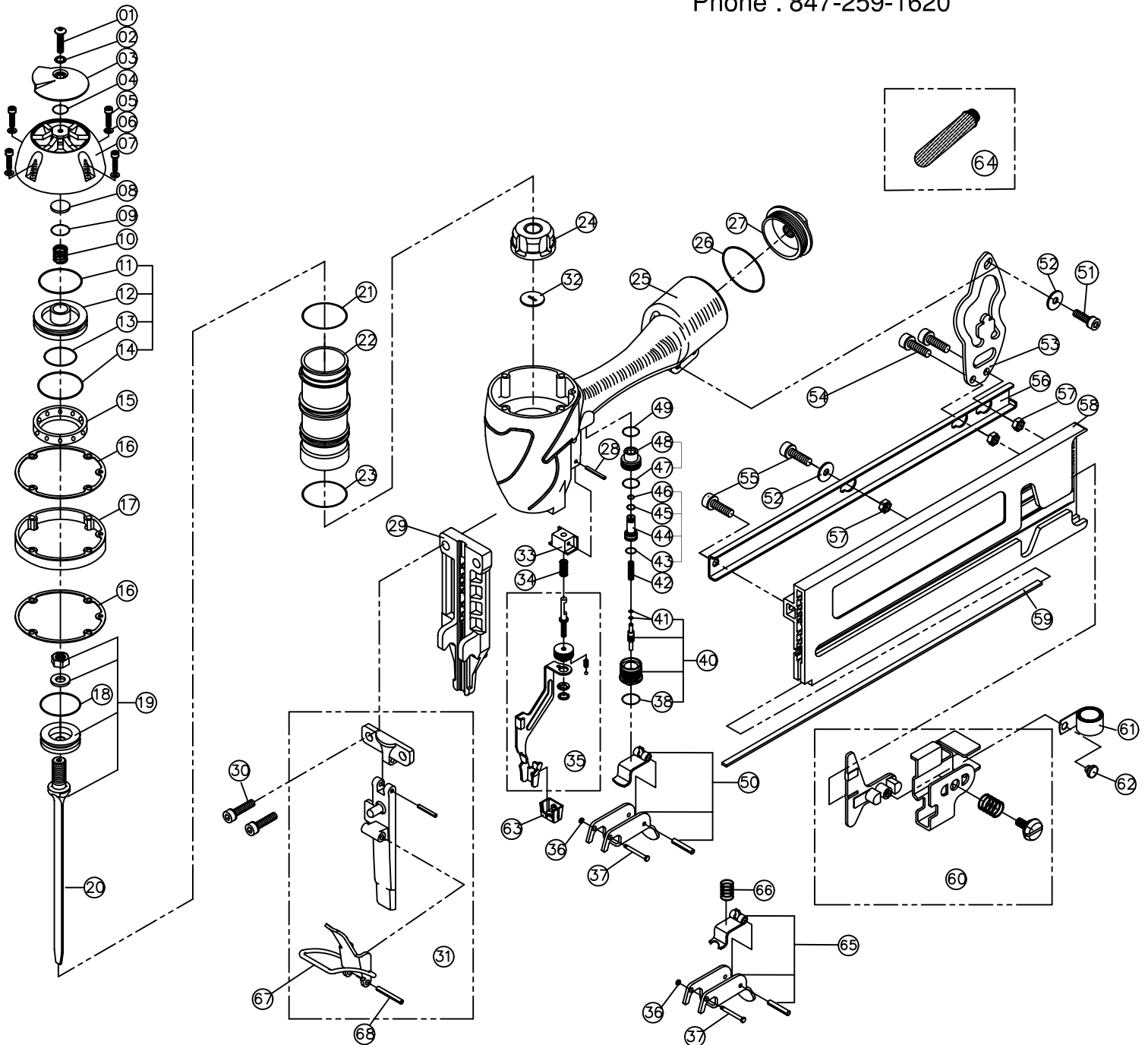
SPOTNAILS[®]

DIVISION OF PEACE INDUSTRIES, LTD.

1100 Hicks Rd

Rolling Meadows, IL 60008

Phone : 847-259-1620



SPOTNAILS MODEL XB1564

Ref No.	Part No.	Description		Ref No.	Part No.	Description
1	P-24370	Screw		35	AS-53051	Safety Assembly
2	P-96118	Bushing	◆	36	P-64240	O-Ring
3	P-70041	Exhaust Deflector		37	P-07327	Trigger Pin
4	P-64377	O-Ring	◆	38	P-64328	O-Ring
5	P-24456	Cap Screw		40	AS-22037	Plunger Assembly
6	P-32211	Flat Washer	◆	41	P-64383	Plunger O-Rings
7	P-60172	Cap Screw		42	P-18227	Spring
8	P-15187	Exhaust Seal	◆	43	P-64336	O-Ring
◆	9	P-64378	O-Ring	44	P-22145	Pilot Valve
	10	P-18327	Poppet Spring	45	P-64335	O-Ring
◆	11	P-64028	Poppet O-Ring	46	P-64334	O-Ring
	12	P-63037	Poppet	47	P-64333	O-Ring
◆	13	P-64379	Piston Stop O-Ring	48	P-22144	Trigger Valve Cap
◆	14	P-64380	Cylinder Seal O-Ring	49	P-64332	Valve Housing O-Ring
	15	P-03079	Guide Spacer	50	AS-21008	Trigger Assembly
◆	16	P-62070	Gasket	51	P-24307	Screw
	17	P-03073	Body Spacer	52	P-32170	Washer
◆	18	P-64228	Piston O-Ring	53	P-13072	Bracket
	19	AS-06042	Piston & Driver Assembly	54	P-24308	Screw
	20	P-06230	Driver Blade	55	P-24430	Screw
◆	21	P-64330	Cylinder O-Ring	56	P-12412	Magazine Cover
	22	P-05105	Cylinder	57	P-26126	Nut
◆	23	P-64419	O-Ring	58	P-12413	Magazine
	24	P-15188	Bumper	59	P-27181	Wear Insert
	25	P-01265	Body	60	AS-09048	Pusher Assembly
	26	P-64312	O-Ring	61	P-18234	Negator Spring
	27	P-60156	End Cap	62	P-18338	Spring Retainer
	28	P-07262	Pin	63	P-96122	No-Mar Tip
	29	P-08469	Wear Plate	64	P-97454	Filter (Optional)
	30	P-24300	Screw	65	AS-21019	Restrictive Trigger
	31	AS-10047	Front Plate Assembly	66	P-18267	Spring
◆	32	P-15201	Return Seal	67	AS-04040	Latch Assembly
	33	P-53165	Safety Guide	68	P-07297	Pin
	34	P-18328	Spring			

◆ Parts Included in AS-97286 O-Ring and Seal Kit