

MODEL XS2650

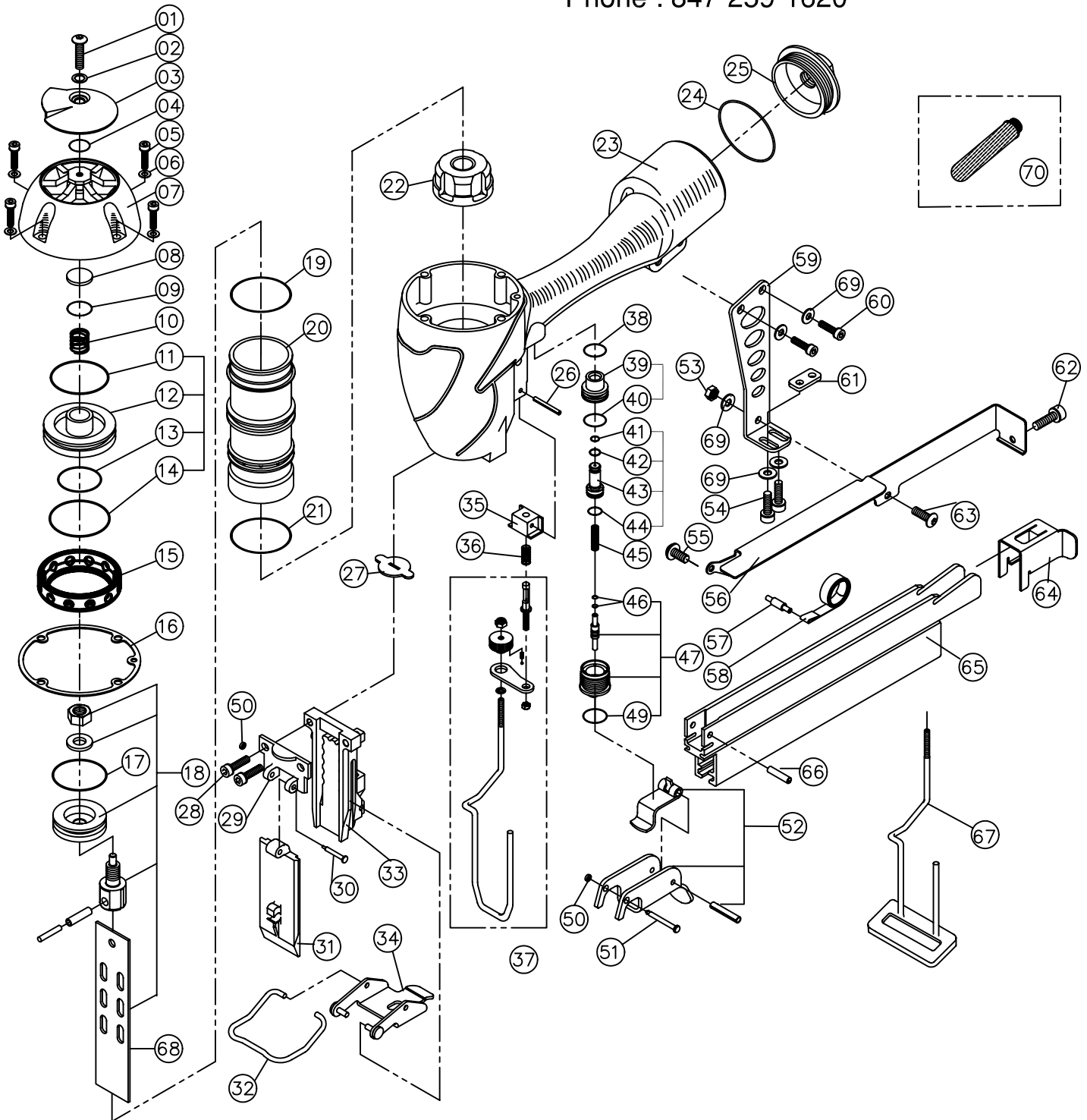
SPOTNAILS[®]

DIVISION OF PEACE INDUSTRIES, LTD.

1100 Hicks Rd

Rolling Meadows, IL 60008

Phone : 847-259-1620



6/2/2005

SPOTNAILS MODEL XS2650

Ref No.	Part No.	Description	
01	P-24370	Screw	
02	P-96118	Bushing	
03	P-70041	Exhaust Deflector	
04	P-64377	O-Ring	
05	P-24300	Cap Screw	
06	P-32211	Flat Washer	
07	P-60172	Cap	
08	P-15187	Exhaust Seal	
◆	09	P-64378	O-Ring
◆	10	P-18327	Poppet Spring
◆	11	P-64028	Poppet O-Ring
◆	12	P-63037	Poppet
◆	13	P-64379	Piston Stop O-Ring
◆	14	P-64380	Cylinder Seal O-Ring
◆	15	P-03079	Guide Spacer
◆	16	P-62070	Gasket
◆	17	P-64228	Piston O-Ring
◆	18	AS-06043	Piston & Driver Assembly
◆	19	P-64330	Cylinder O-Ring
◆	20	P-05096	Cylinder
◆	21	P-64419	O-Ring
◆	22	P-15197	Bumper
◆	23	P-01263	Body
◆	24	P-64312	O-Ring
◆	25	P-60156	End Cap
◆	26	P-07262	Pin
◆	27	P-15202	Return Seal
◆	28	P-24358	Screw
◆	29	P-10285	Stationary Front Plate
◆	30	P-07357	Step Pin
◆	31	P-10290	Removable Front Plate
◆	32	P-18333	Latch Spring
◆	33	P-08474	Wear Plate
◆	34	P-04062	Quick Clear Latch
◆	35	P-53165	Safety Guide

Ref No.	Part No.	Description	
36	P-18328	Spring	
37	AS-53045	Safety Assembly	
◆	38	P-64332	Valve Housing O-Ring
◆	39	P-22144	Trigger Valve Cap
◆	40	P-64333	O-Ring
◆	41	P-64334	O-Ring
◆	42	P-64335	O-Ring
◆	43	P-22145	Pilot Valve
◆	44	P-64336	O-Ring
◆	45	P-18227	Spring
◆	46	P-64383	Plunger O-Rings
◆	47	AS-22037	Plunger Assembly
◆	49	P-64328	O-Ring
◆	50	P-64240	O-Ring
◆	51	P-07327	Trigger Pin
◆	52	AS-21008	Trigger Assembly
◆	53	P-26126	Nut
◆	54	P-24430	Screw
◆	55	P-24432	Screw
◆	56	P-12417	Magazine Cover
◆	57	P-07337	Negator Spring Pin
◆	58	P-18334	Negator Spring
◆	59	P-13073	Bracket
◆	60	P-24301	Screw
◆	61	P-26159	Nut Plate
◆	62	P-24433	Screw
◆	63	P-24434	Screw
◆	64	P-09187	Pusher
◆	65	P-12425	Magazine
◆	66	P-07338	Pin
◆	67	P-53167	Lathing Safety (Optional)
◆	68	P-06224	Driver Blade
◆	69	P-32170	Washer
◆	70	P-97454	Filter (Optional)

◆ Parts Included In AS-97292 O-Ring And Seal Kit