

MODEL XS6650

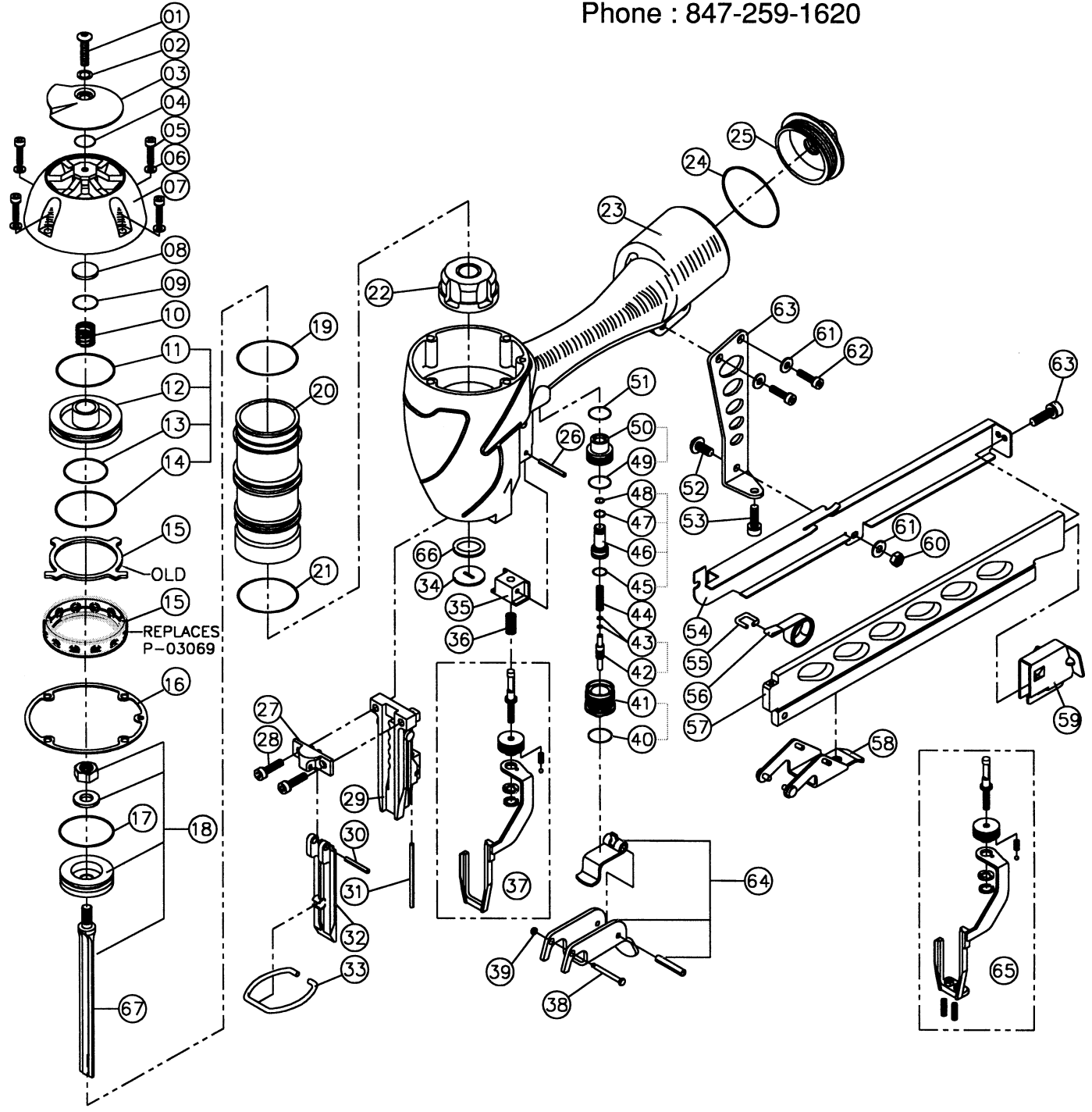
SPOTNAILS[®]

DIVISION OF PEACE INDUSTRIES, LTD.

1100 Hicks Rd

Rolling Meadows, IL 60008

Phone : 847-259-1620



7/31/02

SPOTNAILS MODEL XS6650

Ref No.	Part No.	Description	Ref No.	Part No.	Description
01	P-24370	Screw	35	P-53165	Safety Guide
02	P-96118	Bushing	36	P-18328	Spring
03	P-70041	Exhaust Deflector	37	AS-53044	Safety Assembly
04	P-64377	O-Ring	38	P-07327	Trigger Pin
05	P-24300	Cap Screw	39	P-64240	O-Ring
06	P-32211	Flat Washer	40	P-64328	O-Ring
07	P-60172	Cap	41	P-22147	Valve Housing
◆ 08	P-15187	Exhaust Seal	42	P-22146	Plunger
◆ 09	P-64378	O-Ring	43	P-64383	Plunger O-Ring
10	P-18327	Poppet Spring	44	P-18227	Spring
◆ 11	P-64028	Poppet O-Ring	45	P-64336	O-Ring
12	P-63037	Poppet	46	P-22145	Pilot Valve
◆ 13	P-64379	Piston Stop O-Ring	47	P-64335	O-Ring
◆ 14	P-64380	Cylinder Seal O-Ring	48	P-64334	O-Ring
15	P-03079	Guide Spacer	49	P-64333	O-Ring
◆ 16	P-62070	Gasket	50	P-22144	Trigger Valve Cap
◆ 17	P-64228	Piston O-Ring	◆ 51	P-64332	Valve Housing O-Ring
18	AS-06029	Piston & Driver Assembly	52	P-24370	Screw
◆ 19	P-64330	Cylinder O-Ring	53	P-24353	Screw
20	P-05096	Cylinder	54	P-12385	Magazine Cover
◆ 21	P-64419	O-Ring	55	P-18131	Spring Clip
22	P-15188	Bumper	56	P-18298	Negator Spring
23	P-01260	Body	57	P-27179	Magazine
24	P-64312	O-Ring	58	P-04060	Quick Clear Latch
25	P-60156	End Cap	59	P-09159	Pusher
26	P-07262	Pin	60	P-26142	Nut
27	P-10276	Stationary Front Plate	61	P-32170	Washer
28	P-24358	Screw	62	P-24301	Screw
29	P-08463	Wear Plate	63	P-13067	Bracket
30	P-07253	Spring Pin	64	AS-21008	Trigger Assembly
31	P-07257	Magazine To Wear Plate Pin	65	AS-99077	Vinyl Siding Attachment Kit (Optional)
32	P-10277	Removable Front Plate	66	P-15190	Plastic Return Seal
33	P-18251	Latch Spring	67	P-06225	Driver Blade
34	P-15191	Return Seal			

◆ Parts Included In AS-97274 O-Ring And Seal Kit