

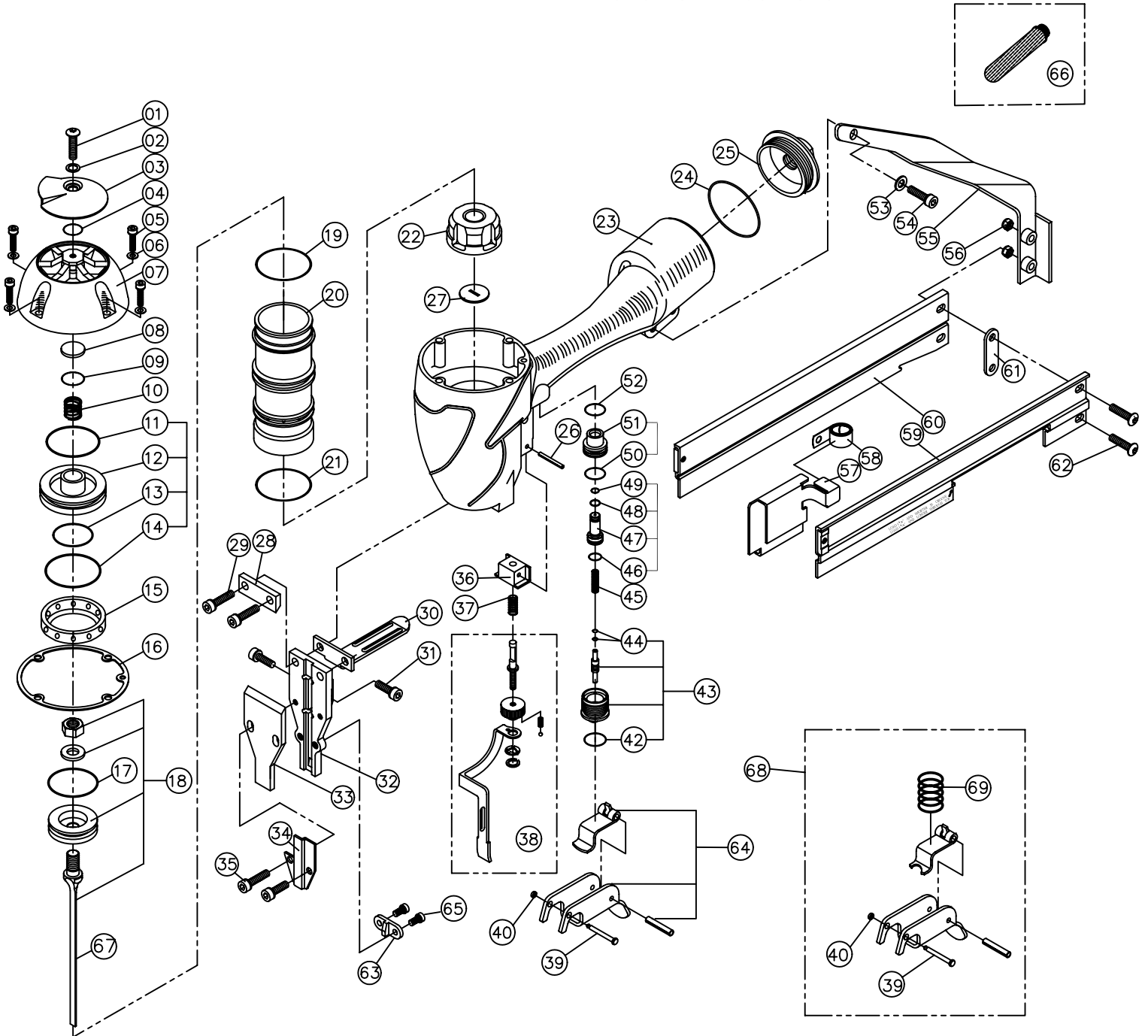
# MODEL XT8664

THIS TOOL EQUIPPED WITH  
A RESTRICTIVE TRIGGER

# SPOTNAILS<sup>®</sup>

DIVISION OF PEACE INDUSTRIES, LTD.

1100 Hicks Rd  
Rolling Meadows, IL 60008  
Phone : 847-259-1620



6/7/2005

## SPOTNAILS MODEL XT8664

Ref No.	Part No.	Description		Ref No.	Part No.	Description	
01	P-24370	Screw		35	P-24306	Screw	
02	P-96118	Bushing		36	P-53165	Safety Guide	
03	P-70041	Exhaust Deflector		37	P-18328	Spring	
04	P-64377	O-Ring		38	AS-53047	Safety Assembly	
05	P-24300	Cap Screw		39	P-07327	Trigger Pin	
06	P-32211	Flat Washer	◆	40	P-64240	O-Ring	
07	P-60172	Cap	◆	41	P-64328	O-Ring	
08	P-15187	Exhaust Seal		43	AS-22037	Plunger Assembly	
◆	09	P-64378	O-Ring	◆	44	P-64383	Plunger O-Rings
	10	P-18327	Poppet Spring		45	P-18227	Spring
◆	11	P-64028	Poppet O-Ring	◆	46	P-64336	O-Ring
	12	P-63037	Poppet		47	P-22145	Pilot Valve
◆	13	P-64379	Piston Stop O-Ring	◆	48	P-64335	O-Ring
◆	14	P-64380	Cylinder Seal O-Ring	◆	49	P-64334	O-Ring
	15	P-03079	Guide Spacer	◆	50	P-64333	O-Ring
◆	16	P-62070	Gasket		51	P-22144	Trigger Valve Cap
◆	17	P-64228	Piston O-Ring	◆	52	P-64332	Valve Housing O-Ring
	18	AS-06041	Piston & Driver Assembly		53	P-32170	Washer
◆	19	P-64330	Cylinder O-Ring		54	P-24301	Screw
	20	P-05096	Cylinder		55	P-13071	Bracket
◆	21	P-64419	O-Ring		56	P-26126	Nut
	22	P-15188	Bumper		57	P-09165	Pusher
	23	P-01266	Body		58	P-18234	Negator Spring
	24	P-64419	O-Ring		59	P-12370	Magazine (Left)
	25	P-60156	End Cap		60	P-12369	Magazine (Right)
	26	P-07262	Pin		61	P-03056	Spacer
◆	27	P-15200	Return Seal		62	P-24319	Screw
	28	P-10259	Stationary Front Plate		63	P-53169	Short Guide Assembly
	29	P-24380	Screw		64	AS-21008	Trigger Assembly
	30	P-12339	Guide Nail Cover		65	P-24364	Screw
	31	P-24317	Screw		66	P-97454	Filter (Optional)
	32	P-08461	Wear Plate		67	P-06234	Driver Blade
	33	P-10260	Removable Front Plate		68	AS-21019	Restrictive Trigger
	34	P-52036	Safety Yoke Guide		69	P-18267	Spring

◆ Parts Included In AS-97285 O-Ring And Seal Kit