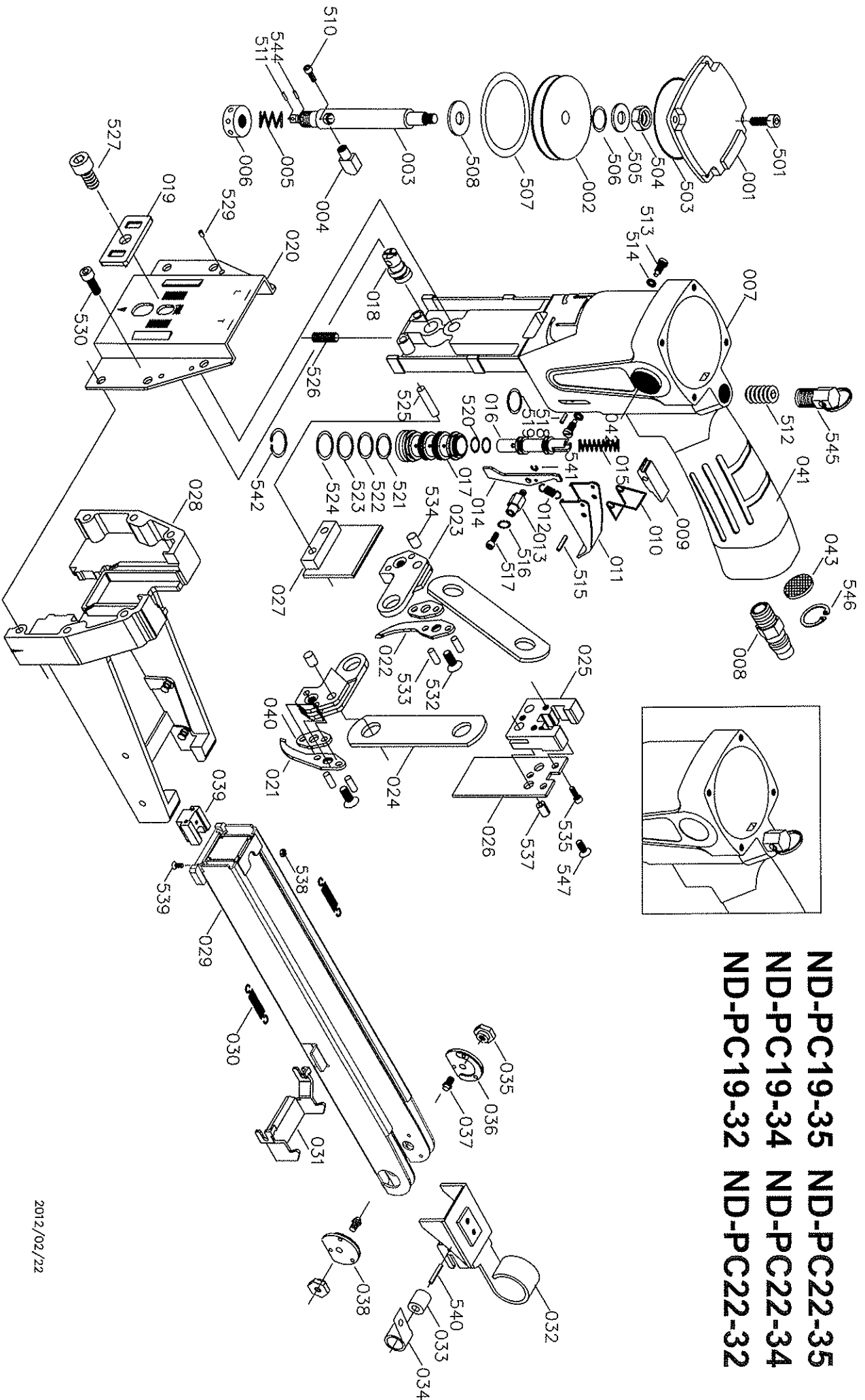


MODEL : ND-PC19-35, ND-PC19-34, ND-PC19-32  
 ND-PC22-35, ND-PC22-34, ND-PC22-32

ITEM	PART NO.	DESCRIPTION	QTY	SPECIFICATION	ITEM	PART NO.	DESCRIPTION	QTY	SPECIFICATION
001	A03900101	CAP	1		038	A00103904A	LEFT PUSHER GUIDE	1	
002	A02800201	PISTON	1		039	A00607501	BRACKET	1	
003	A02800301	PISTON ROD	1		040	A00105001	WASHER	2	
004	A00100401	BLOCK	1		041	A03900301	HANDLE GLOVE	1	
005	A00100501	SPRING	1		042	A03900401	WASHER	2	
006	A00100601	COLLAR	1		043	BA11401	SILENCER	1	
007	ADCST-P31	BODY UNIT	1		501	BAC0604142	HEX SOC.HD.BOLT	4	M4 x 0.7-14
008	A00100801	AIR PLUG	1	Japanese Type	503	BA8017537	O-RING	1	φ1.78 x φ53.7
008	A00100802	AIR PLUG	1	U.S.A. Type	504	BAD02061	HEX NUT	1	M6 x 1
008	A00100803	AIR PLUG	1	European Type	505	BAE06094	WASHER	1	1/4" x 5/8" x 1T
009	A00100902	BLOCK	1		506	BA8017076	O-RING	1	φ1.78 x φ7.65
010	A00101001	SPRING	1		507	BA8057476	O-RING	1	φ5.7 x φ47.6
011	A00101101	TRIGGER	1		508	A00104101	WASHER	1	φ8 x φ23 x 1.6T
012	A00101201	SPRING	1		510	BAC0604102	HEX SOC.HD.BOLT	1	M4 x 0.7-10
013	A00101301	ROD	1		511	BAA25014	SPRING PIN	1	φ2.5-14
014	A00101402	TRIGGER'S CONTROL	1		512	BAC0312122	HEX SOC.HDLESS BOLT	1	M12 x 1.75-12
015	A00101501	SPRING	1		513	A00104401	TRIGGER SCREW	2	M4 x 0.7-7
016	A00101601	VALVE	1		514	BAE01042	SPRING WASHER	2	M4
017	A00101702	TUBE	1		515	BAA030020	SPRING PIN	1	φ3-20
018	A00101801	ADJUSTING ROD	1		516	BAE2042	OUTSIDE TEETH WASHER	1	M4
019	A00101901	ADJUSTING PLATE	1		517	BAC0404102	HEX SOC.HD.BOLT	1	M4 x 0.7-10
020	A01102501	FRONT PLATE	1		518	BAA030010	SPRING PIN	1	φ3-10
021	A00102102	RIGHT TEETH	1	19mm	519	BA8017124	O-RING	1	φ1.78 x φ12.42
021	A01200501	RIGHT TEETH	1	22mm	520	BA8017076	O-RING	2	φ1.78 x φ7.65
022	A00102202	LEFT TEETH	1	19mm	521	BA8016145	O-RING	1	φ1.6 x φ14.5
022	A01200601	LEFT TEETH	1	22mm	522	BA8016150	O-RING	1	φ1.6 x φ15
023	A00102301	TEETH SEAT	2		523	BA8016155	O-RING	1	φ1.6 x φ15.5
024	A00102401	PLATE	2		524	BA8016160	O-RING	1	φ1.6 x φ16
025	A00102502	BLOCK	1		525	A00104701	ROD	2	φ4.9-17.5
026	A00102605	DRIVER	1	19-35	526	BAC0306142	HEX SOC.HDLESS BOLT	1	M6 x 1-14
026	A01201706	DRIVER	1	19-32	527	BAC0608162	HEX SOC.HD.BOLT	1	M8 x 1.25-16
026	A01201709	DRIVER	1	22-32	529	BAA030010	SPRING PIN	4	φ3-10
026	A00102606	DRIVER	1	19-34, 22-34	530	BAC0605142	HEX SOC.HD.BOLT	6	M5 x 0.8-14
027	A00102703A	COVER UNIT	1	22-35 (71.2mm)	532	A00106201	HEX SOC.FLAT COUNTER SUNK HD.SCREW	2	M5 x 0.8-12
028	A02100406A	MAGAZINE SEAT	1		533	A00104501	PIN	4	φ3.97-13
028	A02100408A	MAGAZINE SEAT	1	SB Type MAGAZINE	534	A00104602	PIN	2	φ6.05-8
029	HAA-19-35-P7-SD	MAGAZINE	1	19-35, 22-35	535	BAC0604102	HEX SOC.HD.BOLT	2	M4 x 0.7-10
029	HAA-19-32-P7-SD	MAGAZINE	1	19-32, 22-32	537	BAA060016-R	SPRING PIN	2	φ6-16
029	HAA-19-34-P7-SB	MAGAZINE	1	19-34, 22-34	538	BAD01041	LOCK NUT	1	M4 x 0.7
030	A01102403	SPRING	2		539	BAC0404202	HEX SOC.HD.BOLT	1	M4 x 0.7-20
031	A01102201	BRACKET	1		540	BAA040016	SPRING PIN	1	φ4-16
032	A00103709A	PUSHER UNIT	1	19-35, 22-35	541	BAF110252	E-RING	1	φ2.5
032	A00103710A	PUSHER UNIT	1	19-32, 22-32	542	BAF22002	C-RING	1	φ20
032	A00103711A	PUSHER UNIT	1	19-34, 22-34	545	C0011201A	COUNTER BALANCE HANGER	1	
033	A00103501	ROLLER	1		546	BAF22002	C-RING	1	φ20
034	A00103401	SPRING	1		547	BAC0204062	HEX SOC.FLAT COUNTER SUNK HD.SCREW	1	M4 x 0.7-6
035	A00607101	ROD NUT	2						
036	A00103903A	RIGHT PUSHER GUIDE	1						
037	A00103203	ROD	2						



**ND-PC19-35 ND-PC22-35**  
**ND-PC19-34 ND-PC22-34**  
**ND-PC19-32 ND-PC22-32**