

MODEL : ND-RA119-GR/ ND-RA119-RR/ ND-RA122-GR/ ND-RAS-19/ ND-RAT-19

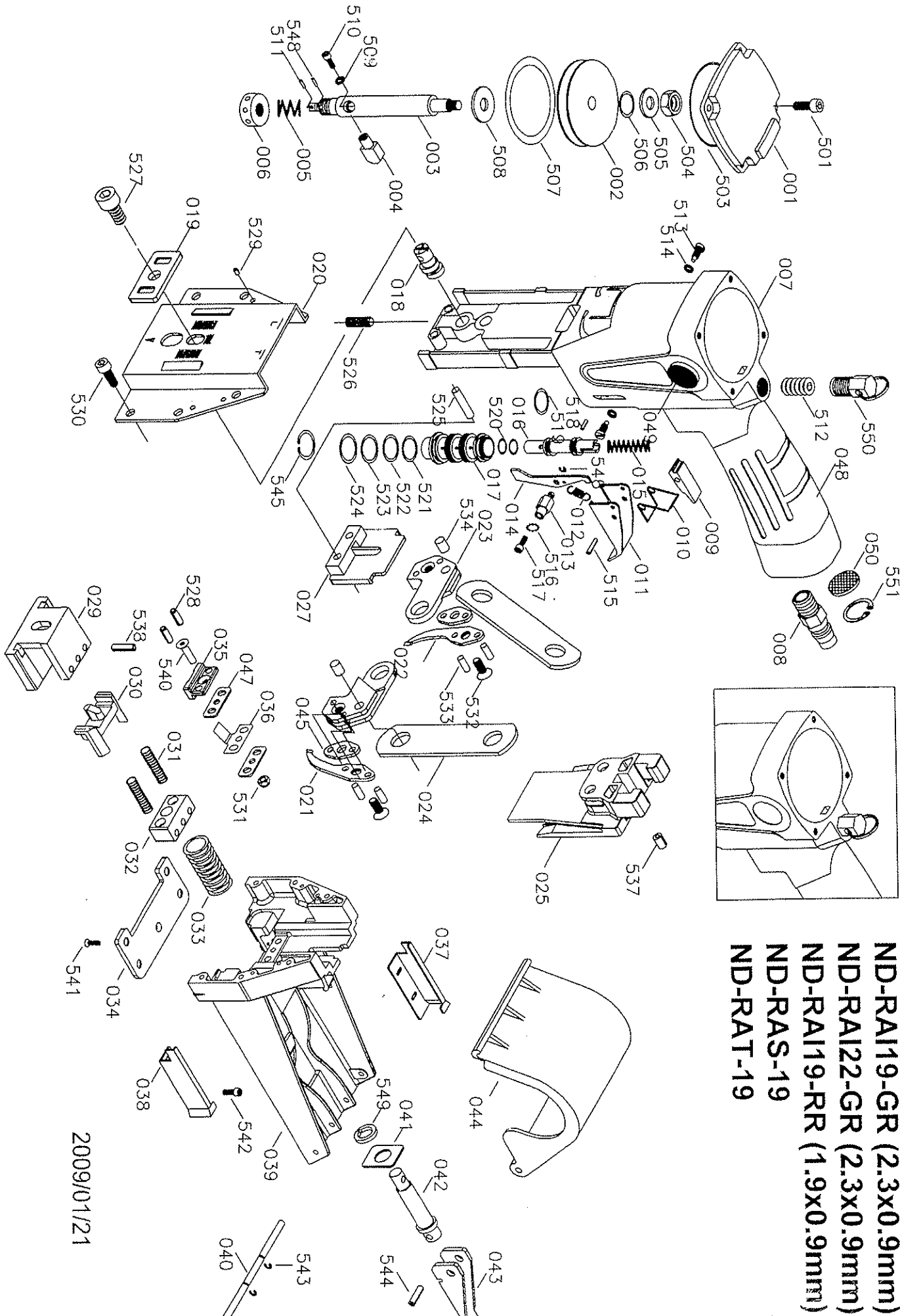
| Code    | Produit            | Qté/bte | Qté/cs |
|---------|--------------------|---------|--------|
| 0322900 | ROLL C 5/8" (RR)   | 1000    | 24     |
| 0232905 | ROLL C 3/4" (RR)   | 1000    | 24     |
| 0232910 | ROLL A 5/8" (GR)   | 1000    | 24     |
| 0232920 | ROLL A 3/4" (GR)   | 1000    | 24     |
| 0232930 | ROLL A 7/8" (GR)   | 1000    | 24     |
| 0232940 | ROLL 34 5/8" (swc) | 1000    | 24     |
| 0232945 | ROLL 34 3/4" (swc) | 1000    | 24     |

CR  
CR  
AR  
AR  
AR  
AR  
BOS  
1701  
11

| ITEM | PART NO.  | DESCRIPTION       | QTY | SPECIFICATION           |
|------|-----------|-------------------|-----|-------------------------|
| 001  | A03960010 | CAP               | 1   |                         |
| 002  | A02800201 | PISTON            | 1   |                         |
| 003  | A02800301 | PISTON ROD        | 1   |                         |
| 004  | A00100401 | BLOCK             | 1   |                         |
| 005  | A00100501 | SPRING            | 1   |                         |
| 006  | A00100601 | COLLAR            | 1   |                         |
| 007  | ADCST-P31 | BODY UNIT         | 1   | Japanese Type           |
| 008  | A00100801 | AIR PLUG          | 1   | U.S.A. Type             |
| 008  | A00100802 | AIR PLUG          | 1   | European Type           |
| 009  | A00100902 | BLOCK             | 1   |                         |
| 010  | A00101001 | SPRING            | 1   |                         |
| 011  | A00101101 | TRIGGER           | 1   |                         |
| 012  | A00101201 | SPRING            | 1   |                         |
| 013  | A00101301 | ROD               | 1   |                         |
| 014  | A00101402 | TRIGGER'S CONTROL | 1   |                         |
| 015  | A00101501 | SPRING            | 1   |                         |
| 016  | A00101601 | VALVE             | 1   |                         |
| 017  | A00101702 | TUBE              | 1   |                         |
| 018  | A00101801 | ADJUSTING ROD     | 1   |                         |
| 019  | A00101901 | ADJUSTING PLATE   | 1   |                         |
| 020  | A01102501 | FRONT PLATE       | 1   | 19mm                    |
| 020  | A01102503 | FRONT PLATE       | 1   | 22mm                    |
| 021  | A00102102 | RIGHT TEETH       | 1   | 19mm                    |
| 022  | A00102202 | LEFT TEETH        | 1   | 19mm                    |
| 022  | A01200501 | RIGHT TEETH       | 1   | 1-22-GR(2.3mm)          |
| 022  | A01200601 | LEFT TEETH        | 1   | S-19 se tes             |
| 022  | A01900503 | TEETH             | 1   | S-19 series             |
| 023  | A00102301 | TEETH SEAT        | 2   |                         |
| 024  | A00102401 | PLATE             | 1   | S series                |
| 025  | A02202802 | DRIVER            | 1   | I-RR series, T series   |
| 025  | A02301002 | DRIVER            | 1   | I-RR series, T series   |
| 025  | A03700902 | DRIVER            | 1   | I-RR series, T series   |
| 027  | A02300102 | DRIVER GUIDE UNIT | 1   | I-RR(1.9mm), T series   |
| 027  | A03600102 | DRIVER GUIDE UNIT | 1   | I-GR series(2.3mm)      |
| 027  | A02200202 | DRIVER GUIDE UNIT | 1   | S series                |
| 029  | A02200601 | ANVIL             | 1   | S series                |
| 029  | A02300401 | ANVIL             | 1   | I series, T series      |
| 029  | A03700401 | ANVIL             | 1   | 1-22-GR series          |
| 030  | A02200702 | PUSHER            | 1   | S series                |
| 030  | A02300502 | PUSHER            | 1   | I-RR series, T series   |
| 030  | A03600202 | PUSHER            | 1   | I-GR series, T series   |
| 031  | A02201101 | SPRING            | 2   |                         |
| 032  | A02200501 | ANVIL CAP         | 1   |                         |
| 033  | A02201201 | SPRING            | 1   |                         |
| 034  | A02200801 | PLATE             | 1   |                         |
| 035  | A02202801 | TOP GUIDE         | 1   |                         |
| 036  | A02201803 | LEAF SPRING       | 1   |                         |
| 037  | A02300603 | RIGHT COIL GUIDE  | 1   | 1-19 series             |
| 037  | A03700602 | RIGHT COIL GUIDE  | 1   | 1-22-GR(2.3mm)          |
| 037  | A02400602 | RIGHT COIL GUIDE  | 1   | T series                |
| 037  | A02201503 | RIGHT COIL GUIDE  | 1   | S series                |
| 038  | A02300703 | LEFT COIL GUIDE   | 1   | 1-19 series             |
| 038  | A03700702 | LEFT COIL GUIDE   | 1   | 1-22-GR(2.3mm)          |
| 038  | A02400702 | LEFT COIL GUIDE   | 1   | T series                |
| 038  | A02201603 | LEFT COIL GUIDE   | 1   | S series                |
| 039  | A02200111 | MAGAZINE SEAT     | 1   |                         |
| 039  | A03600506 | MAGAZINE SEAT     | 1   | I-GR series             |
| 040  | A02201301 | SHAFT             | 1   |                         |
| 041  | A02201901 | WASHER            | 1   | T=2.5mm, T, I-RR series |

| ITEM | PART NO.    | DESCRIPTION            | QTY | SPECIFICATION        |
|------|-------------|------------------------|-----|----------------------|
| 011  | A02201902   | WASHER                 | 1   | T=2.8mm, I-GR series |
| 041  | A02201903   | WASHER                 | 1   | T=2.2mm, S series    |
| 042  | A02200801   | SHAFT                  | 1   |                      |
| 043  | A02201001   | LEVER                  | 1   |                      |
| 044  | A02201401   | COVER                  | 1   |                      |
| 045  | A02300801   | PLATE                  | 2   |                      |
| 047  | A02202402   | WASHER                 | 2   |                      |
| 048  | A03900301   | HANDLE GLEEVE          | 1   |                      |
| 049  | A03900401   | WASHER                 | 2   |                      |
| 050  | BA11401     | SILENCER               | 1   |                      |
| 501  | BAC0604142  | HEX SOC HD BOLT        | 4   | M4 x 0.7-14          |
| 503  | BAB017537   | O-RING                 | 1   | φ 1.78 x φ 53.7      |
| 504  | BAD02061    | HEX NUT                | 1   | M6 x 1               |
| 505  | BAE06094    | WASHER                 | 1   | 1/4" x 5/8" x 1T     |
| 506  | BAB017076   | O-RING                 | 1   | φ 1.78 x φ 7.65      |
| 507  | BAB057476   | O-RING                 | 1   | φ 5.7 x φ 47.6       |
| 508  | A00104101   | WASHER                 | 1   | φ 8 x φ 23 x 1.6T    |
| 509  | BAE01042    | SPRING WASHER          | 1   | M4                   |
| 510  | BAC0404102  | HEX SOC HD BOLT        | 1   | M4 x 0.7-10          |
| 511  | BAA025014   | SPRING PIN             | 1   | φ 2.5-14             |
| 512  | BAC0512122  | HEX SOC HDLESS BOLT    | 1   | M12 x 1.75-12        |
| 513  | A00104401   | TRIGGER SCREW          | 2   | M4 x 0.7-7           |
| 514  | BAE01042    | SPRING WASHER          | 2   | M4                   |
| 515  | BAA030020   | SPRING PIN             | 1   | φ 3-20               |
| 516  | BAE02042    | OUTSIDE TEETH WASHER   | 1   | M4                   |
| 517  | BAC0404102  | HEX SOC HD BOLT        | 1   | M4 x 0.7-10          |
| 518  | VA030010    | SPRING PIN             | 1   | φ 3-10               |
| 519  | AB017124    | O-RING                 | 1   | φ 1.78 x φ 12.42     |
| 520  | AB017076    | O-RING                 | 2   | φ 1.78 x φ 7.65      |
| 521  | BAE016145   | O-RING                 | 1   | φ 1.6 x φ 14.5       |
| 522  | BAB016150   | O-RING                 | 1   | φ 1.6 x φ 15         |
| 523  | BAB016155   | O-RING                 | 1   | φ 1.6 x φ 15.5       |
| 524  | BAB016160   | O-RING                 | 1   | φ 1.6 x φ 16         |
| 525  | A00104702   | ROD                    | 2   | φ 4.9-23             |
| 526  | BAC0306142  | HEX SOC HDLESS BOLT    | 1   | M6 x 1-14            |
| 527  | BAC0608162  | HEX SOC HD BOLT        | 1   | M8 x 1.25-16         |
| 528  | BAA050014   | SPRING PIN             | 2   | φ 5-14               |
| 529  | BAA030010   | SPRING PIN             | 4   | φ 3-10               |
| 530  | BAC0605142  | HEX SOC HD BOLT        | 6   | M5 x 0.8-14          |
| 531  | BAD01051    | LOCK NUT               | 1   | M5 x 0.8             |
| 532  | BAC0205122  | HEX SOC FLAT COUNTER   | 2   | M5 x 0.8-12          |
| 532  | BAC0205142  | HEX SOC FLAT COUNTER   | 2   | M5 x 0.8-14          |
| 533  | A00104501   | PIN                    | 4   | φ 3.98-13            |
| 534  | A00104602   | PIN                    | 2   | φ 6.05-8             |
| 537  | BAA060016-R | SPRING PIN             | 2   | φ 6-16               |
| 538  | BAA040022   | SPRING PIN             | 3   | φ 4-22               |
| 540  | BAC0205202  | HEX SOC FLAT COUNTER   | 1   | M5 x 0.8-20          |
| 541  | BAC0205082  | HEX SOC FLAT COUNTER   | 4   | M5 x 0.8-8           |
| 542  | BAC0703063  | ROUND HD SCREW         | 4   | M3 x 0.5-6           |
| 543  | BAE10252    | E-RING                 | 2   | φ 2.5                |
| 544  | BAA040020   | SPRING PIN             | 1   | φ 4-20               |
| 545  | BAE22002    | E-RING                 | 1   | φ 20                 |
| 546  | BAF10252    | E-RING                 | 1   | φ 2.5                |
| 548  | A00104901   | PLASTIC PIN            | 1   |                      |
| 549  | BAE03112    | WAVE WASHER            | 1   | φ 10                 |
| 550  | C0011212 @  | COUNTER BALANCE HANGER | 1   |                      |
| 551  | BAE22012    | C-RING                 | 1   | φ 20                 |

A/S ERIC



- ND-RA119-GR (2.3x0.9mm)
- ND-RA122-GR (2.3x0.9mm)
- ND-RA119-RR (1.9x0.9mm)
- ND-RAS-19
- ND-RAT-19

2009/01/21