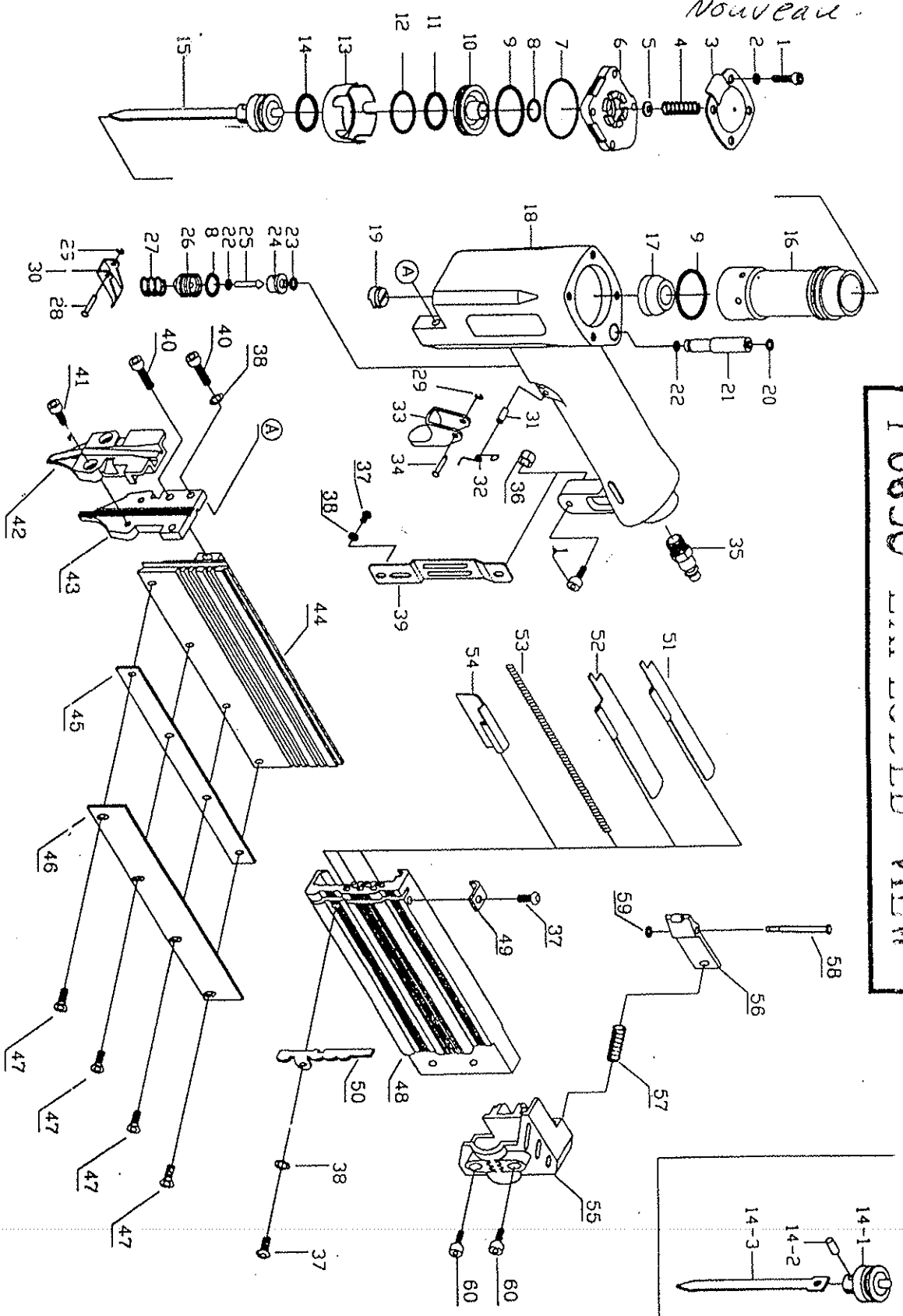


P0630 EXPLODED VIEW

Nouveau



0630

P0630 PINNER PARTS LIST

INDEX NO	MFR PART NO	DESCRIPTION	SPEC NO	QTY
1	301-5*20	HEX.SOC.HD.BOLT	M5*20	5
2	321-5mm	WASHER	M5	4
3	A1342	EXHAUST CAP		1
4	A2342	COMPRESSION SPRING		1
5	A1442	VALVE STOP		1
6	A1242	CYLINDER CAP		1
7	401-1026	O-RING	26*1	1
8	401-2012	O-RING	12*2	2
9	401-P22	O-RING	P22	2
10	A2142	HEAD VALVE		1
11	401-3008	O-RING	8*3	1
12	401-3017	O-RING	17*3	1
13	A4442	CYLINDER BUSHING		1
14	401-3012	O-RING	12*3	1
15	A5142	DRIVER		1
16	A4149	CYLINDER		1
17	A4342	BUMPER		1
18	A004A	BODY		1
19	A0342	DRIVER SEAL		1
20	401-AS007	O-RING	AS007	1
21	A3242	TUBE		1
22	401-4.2*1.25	O-RING	4.2*1.25	2
23	401-P9	O-RING	P9	1
24	A6121	TRIGGER VALVE SEAT		1
25	A6321	TRIGGER VALVE STEM		1
26	A6221	TRIGGER VALVE GUIDE		1
27	A7221	TRIGGER SPRING		1
28	331-3*16.5	PIN		1
29	333-2.5	E-RING		2
30	A7121	TRIGGER		1

Kil-o-eurs ORK P-0630

P0630 PINNER PARTS LIST

INDEX NO	MFR PART NO	DESCRIPTION	SPEC NO	QTY
31	330-3*8.2	PIN		1
32	A8242	SAFETY TRIGGER SPRING	11009101	1
33	A8142	SAFETY LOCK		1
34	331-3*12	PIN		1
35	A04J-19	COUPLING PLUG		1
36	311-5m	NYLON NUT	M5	1
37	305-4*6	HEX.SOC.HD.BOLT	M4*6	3
38	321-4m	SPRING WASHER	M4	4
39	B284A	SUPPORT		1
40	301-4*14	HEX.SOC.HD.BOLT	M4*14	2
41	301-4*6	HEX.SOC.HD.BOLT	M4*6	2
42	B014A	COVER PLATE		1
43	B024A	GUIDE PLATE		1
44	B214A	MAGAZINE SEAT		1
45	B2549	SPACER PLATE		1
46	B2349	RAILING PLATE		1
47	303-3*6	HEX.SOC.FLAT HEAD SCREW	M3*6	4
48	B414A	MAGAZINE CAP		1
49	B4249	MAGAZINE CAP STOP		1
50	B6749	PUSHER STOP		1
51	B26491	PUSHER #1 (S)		3
52	B26492	PUSHER #2 (L)		2
53	B6349	PUSHER SPRING		6
54	B6149	PUSHER		1
55	B734A	LATCH SUPPORT		1
56	B714A	LATCH		1
57	B724A	LATCH SPRING		1
58	333-3*21	LATCH PIN		1
59	401-P2	O-RING		1
60	301-4*8	HEX.SOC.HD.BOLT	M4*8	2