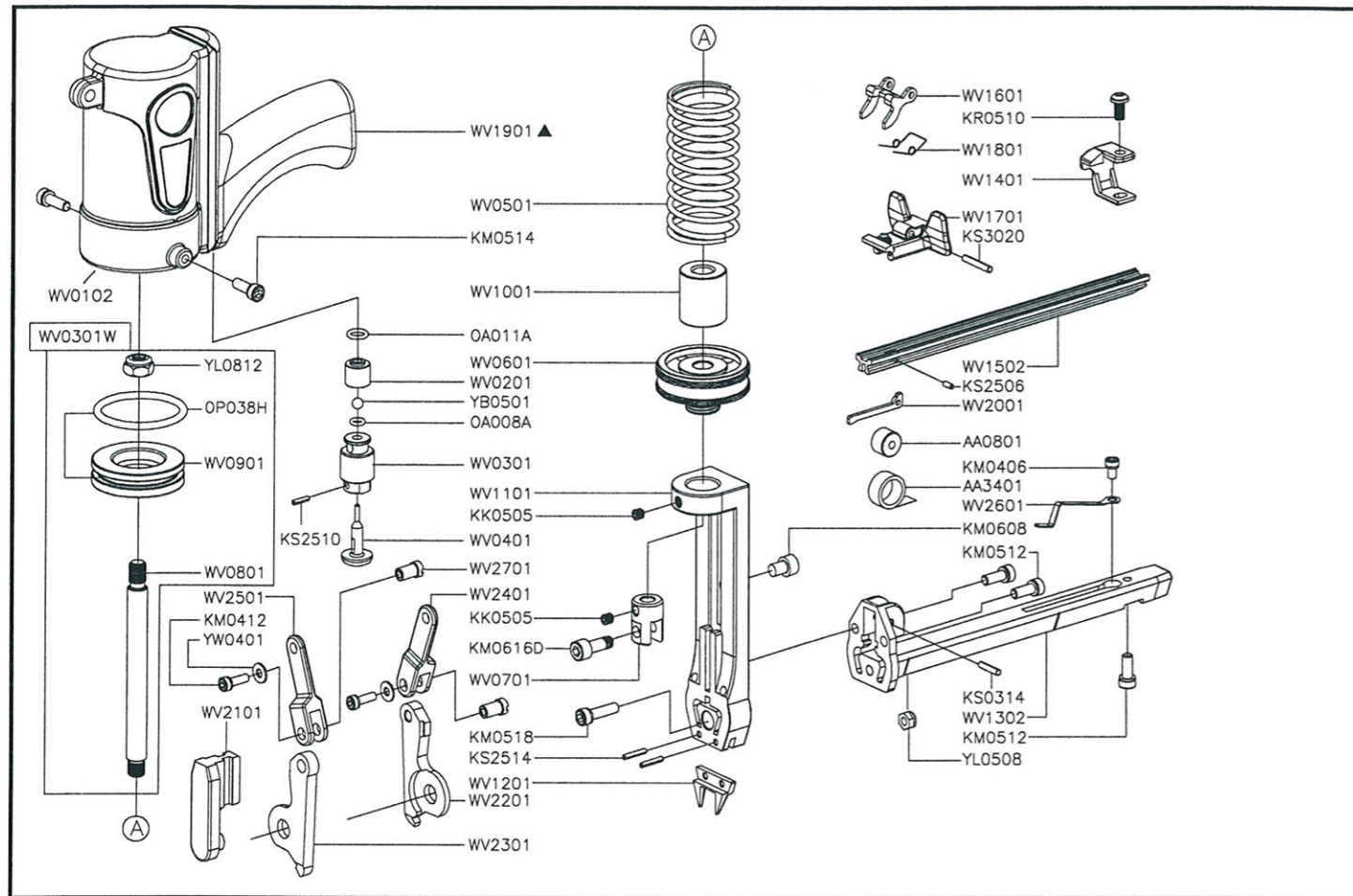


TDR-315B (WV/N1-03)



Part_No	Description	Spec	Q'ty	Part_No	Description	Spec	Q'ty	Part_No	Description	Spec	Q'ty
AA0801	ROLLER		1	OA011A	O-RING	ARP568-011	1	WV1502	UPPER RAIL		1
AA3401	PUSHER SPRING		1	OP038H	O-RING	37.7×3.5	1	WV1601	PUSHER		1
KK0505	HEX.SOC.SET SCREW	M5×0.8—5L	2	WV0102	BODY		1	WV1701	SEAT		1
KM0406	HEX.SOC.HD.BOLT	M4×0.7—6L	1	WV0201	TRIGGER VALVE SEAT		1	WV1801	SPRING		1
KM0412	HEX.SOC.HD.BOLT	M4×0.7—12L	2	WV0301	TRIGGER VALVE GUIDE		1	▲ WV1901	HANDLE CUSHION		1
KM0512	HEX.SOC.HD.BOLT	M5×0.8—12L	3	WV0301W	DRIVER ASSY.		1	WV2001	NAIL STOP		1
KM0514	HEX.SOC.HD.BOLT	M5×0.8—14L	2	WV0401	TRIGGER VALVE STEM		1	WV2101	MOVABLE PLATE		1
KM0518	HEX.SOC.HD.BOLT	M5×0.8—18L	1	WV0501	COMPRESSION SPRING		1	WV2201	PAWL RIGHT		1
KM0608	HEX.SOC.HD.BOLT	M6×1.0—8L	1	WV0601	FRONT STOP SPACER		1	WV2301	PAWL LEFT		1
KM0616D	HEX.SOC.HD.BOLT	M6×1.0—16L	1	WV0701	FINISHED CLEVIS		1	WV2401	ARM RIGHT LINK		1
KR0510	BUTTON HD.BOLT	M5×0.8—10L	1	WV0801	ROD PISTON		1	WV2501	ARM LEFT LINK		1
KS2506	SPRING PIN	∅ 2.5-6L	1	WV0901	MAIN PISTON		1	WV2601	STOPPER		1
KS2510	SPRING PIN	∅ 2.5-10L	1	WV1001	BUMPER		1	WV2701	PIN		2
KS2514	SPRING PIN	∅ 2.5-14L	2	WV1101	SIDE PLATE(L.H.)		1	YB0501	STEEL BALL	∅ 5	1
KS3014	SPRING PIN	∅ 3-14L	1	WV1201	REPLACEABLE TEETH		1	YL0508	LOCK NUT	M5×0.8	1
KS3020	SPRING PIN	∅ 3-20L	1	WV1302	MAGAZINE SEAT		1	YL0812	LOCK NUT	M8×1.2	1
OA008A	O-RING	ARP568-008	1	WV1401	SUPPORT		1	YW0401	FLAT WASHER	∅ 4	2

☆☆ If you need to order parts, please mark both Parts No. and Description. ☆☆