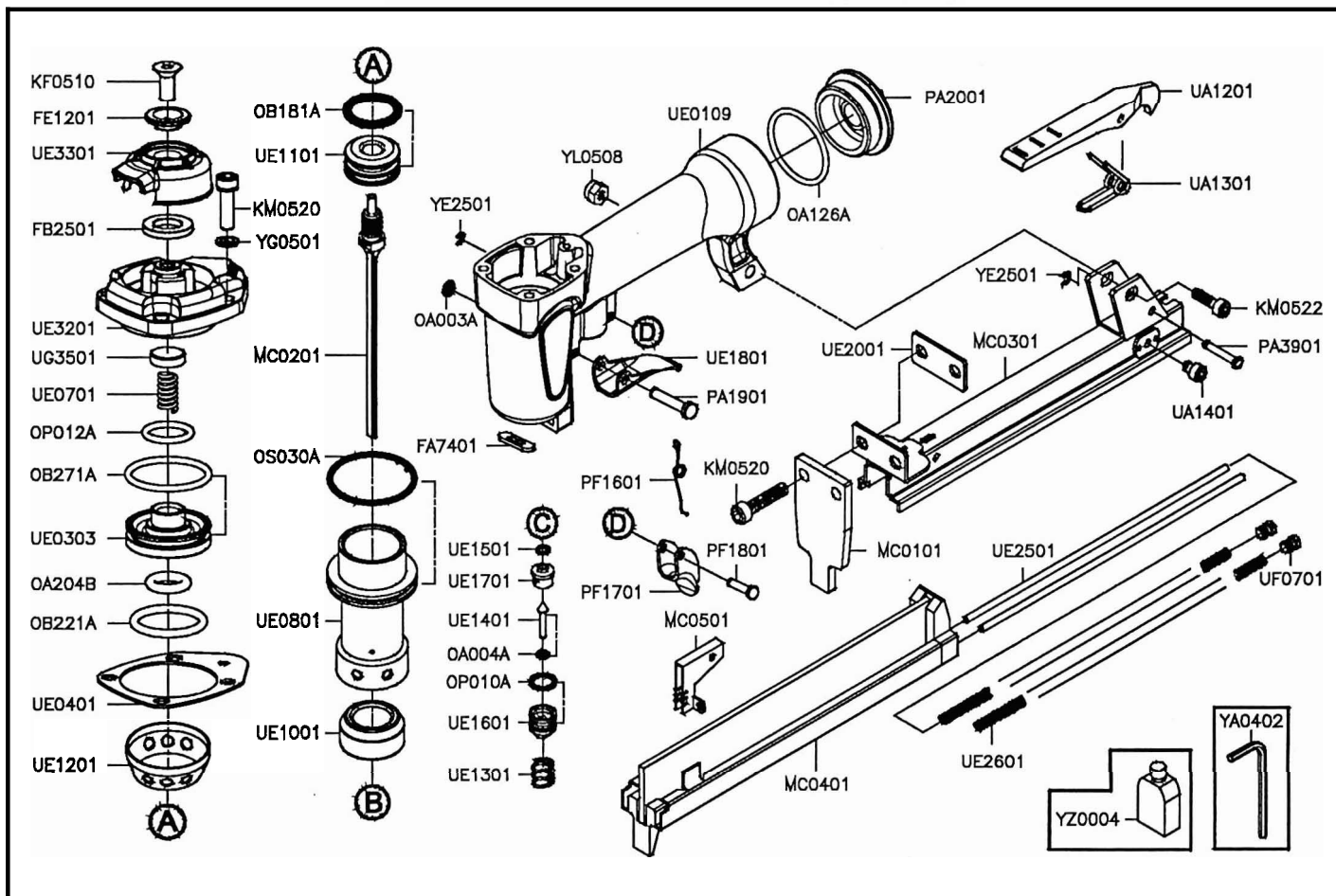


TP-SJK16 (MC/A1-01)



Part-No	Description	Spec	Q'ty	Part-No	Description	Spec	Q'ty	Part-No	Description	Spec	Q'ty
FA7401	NOZZLE		1	OP012A	O-RING	P12	1	UE1301	COMPRESSION SPRING		1
FB2501	PISTON STOP		1	OS030A	O-RING	S-30	1	UE1401	TRIGGER VALVE STEM		1
FE1201	EXHAUST CAP RING		1	PA1901	PIN		1	UE1501	SEAL		1
KF0510	FLAT HD.BOLT	M5×0.8—10L	1	PA2001	END CAP		1	UE1601	TRIGGER VALVE GUIDE		1
KM0520	HEX.SOC.HD.BOLT	M5×0.8—20L	6	PA3901	PIN		1	UE1701	TRIGGER VALVE SEAT		1
KM0522	HEX.SOC.HD.BOLT	M5×0.8—22L	1	PF1601	SPRING		1	UE1801	TRIGGER		1
MC0101	COVER PLATE		1	PF1701	SAFETY LEVER		1	UE2001	SPACER		1
MC0201	DRIVER		1	PF1801	PIN		1	UE2501	GUIDE STEM		2
MC0301	MAGAZINE CAP SET.		1	UA1201	LATCH		1	UE2601	PUSHER SPRING		2
MC0401	MAGAZINE ASSY.		1	UA1301	LATCH SPRING		1	UE3201	CYUNDERCAP		1
MC0501	PUSHER		1	UA1401	RETAINER SCREW		2	UE3301	EXHAUST CAP		1
OA003A	O-RING	ARP568-003	1	UE0109	BODY		1	UF0701	HEX.SOC.SET SCREW		2
OA004A	O-RING	ARP568-004	1	UE0303	HEAD VALVE PISTON		1	UG3501	PISTON STOP		1
OA126A	O-RING	ARP568-126	1	UE0401	CAP SEAL		1	YA0402	HEX BAR WRENCH	D4	1
OA204B	O-RING	ARP568-204	1	UE0701	COMPRESSION SPRING		1	YE2501	E-RING	∅ 2.5	2
OB181A	O-RING	17.5×3	1	UE0801	CYLINDER		1	YG0501	SPRING WASHER	∅ 5	4
OB221A	O-RING	22×3	1	UE1001	BUMPER		1	YL0508	LOCK NUT	M5×0.8	1
OB271A	O-RING	26.8×2.4	1	UE1101	MAIN PISTON		1	YZ0004	OIL BOX		1
OP010A	O-RING	P10	1	UE1201	COLLAR		1				

★☆☆ If you need to order parts, please mark both Parts No. and Description. ☆☆☆