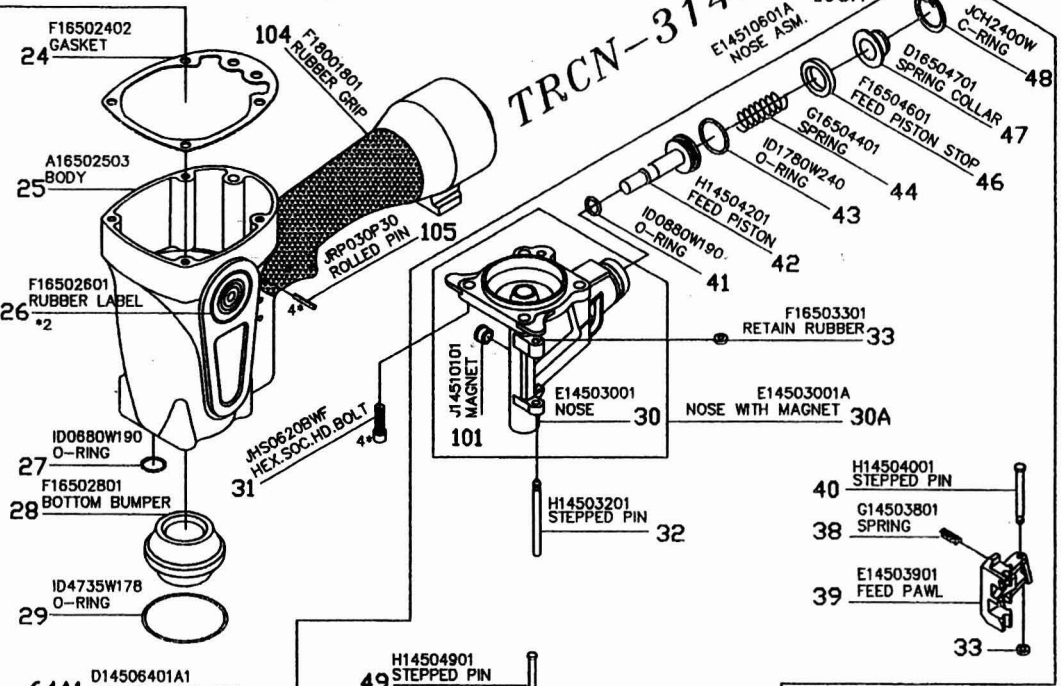
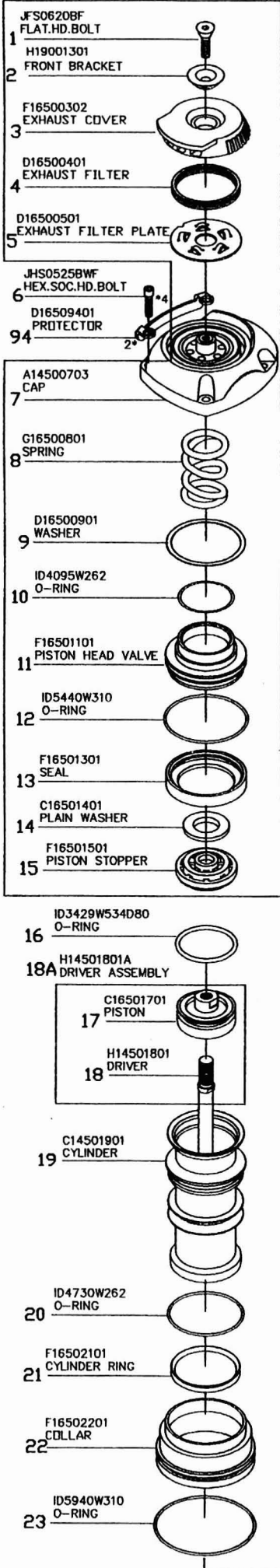
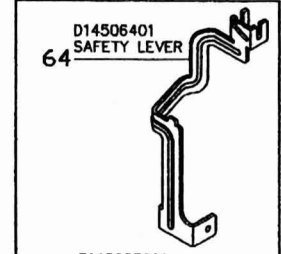


7A1 A14500703A1
CAP ASM.

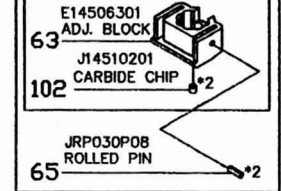


TRCN-3145

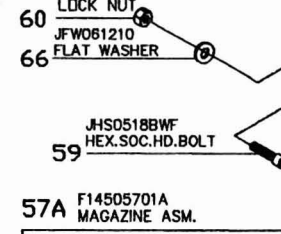
64A1 D14506401A1 SAFETY LEVER ASM.



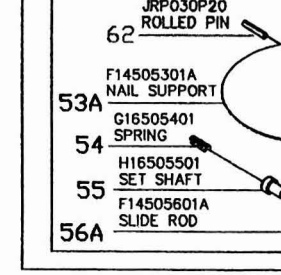
63A E14506301A ADJ. BLOCK ASM.



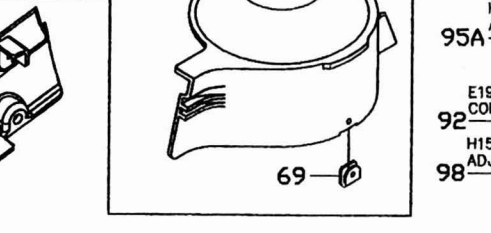
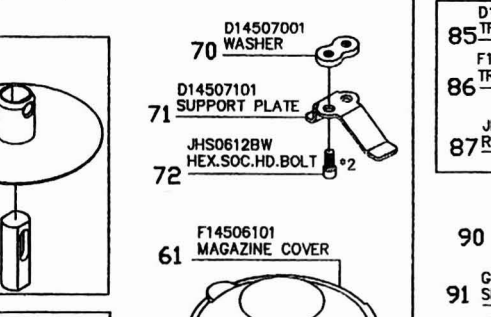
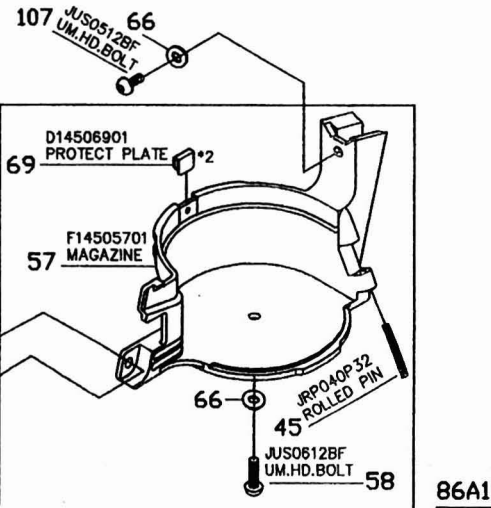
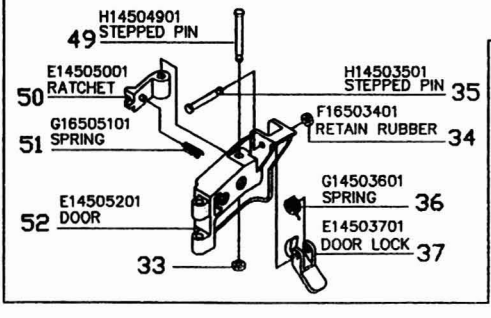
57A F14505701A MAGAZINE ASM.



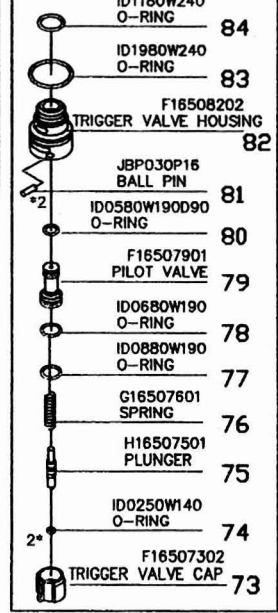
103A F14510301A NAIL ADJ.SUPPORT



68 F14506801 NOSE COVER

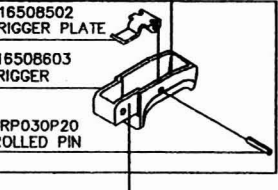


82A F16508202A SWITCH ASM.



89 G19005801 SPRING

86A1 F16508603A1 TRIGGER ASSEMBLY



90 F19006501 TRIP GUIDE

