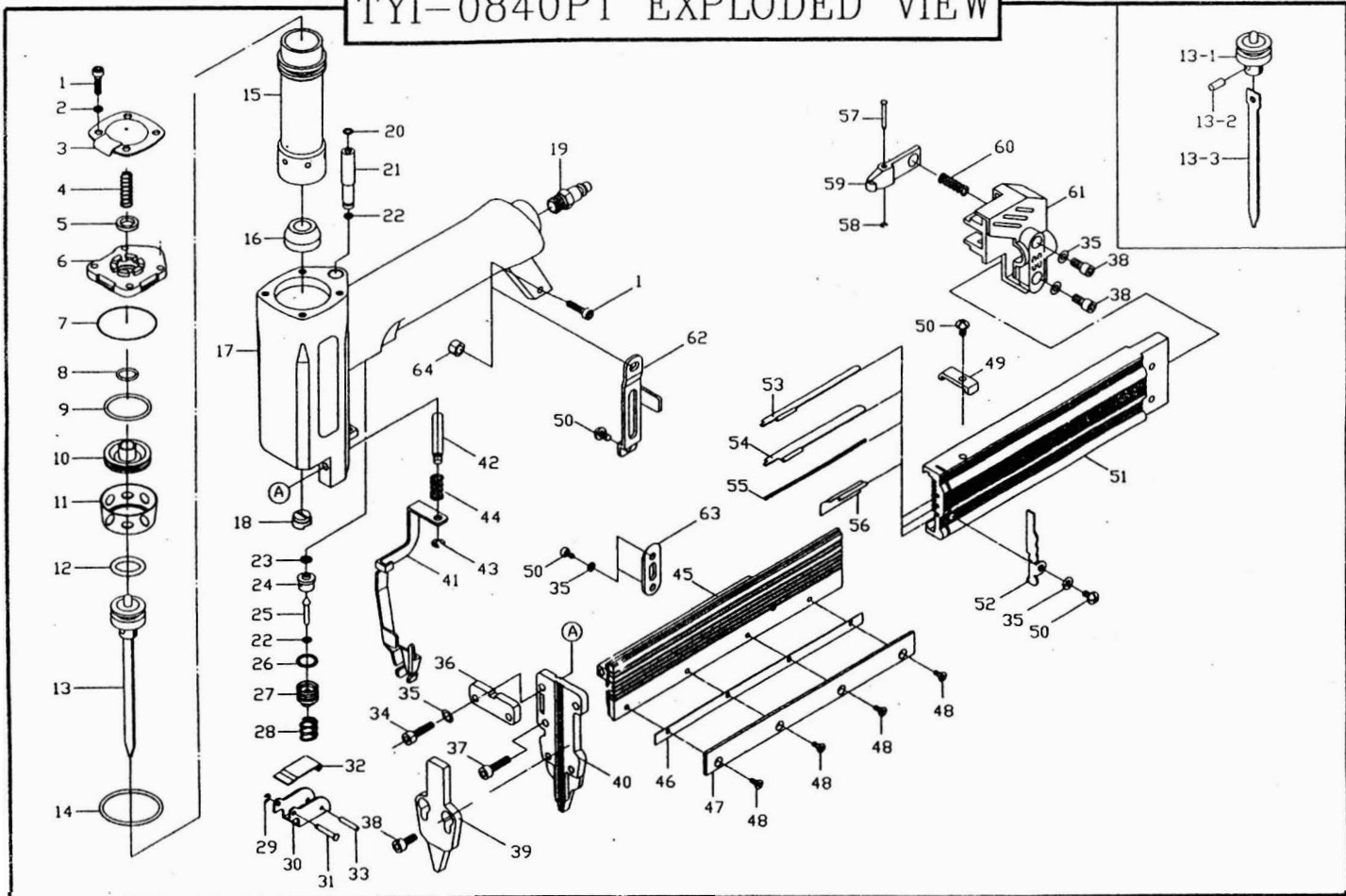


TYI-0840PT EXPLODED VIEW



TYI-0840PT PINNER PARTS LIST

INDEX NO	MFR.PART NO.	DESCRIPTION	SPEC.NO.	Q'TY
1	301-5*20	HEX.SOC.HD.BOLT	M5*20	5
2	321-5mm	WASHER	M5	4
3	A134D	EXHAUST CAP		1
4	A2342	COMPRESSION SPRING		1
5	A1442	VALVE STOP		1
6	A124D	CYLINDER CAP		1
7	401-1034	O-RING	34*1	1
8	401-P12	O-RING	P12	1
9	401-26.8*2.4	O-RING	26.8*2.4	1
10	A214D	HEAD VALVE		1
11	A444D	CYLINDER BUSHING		1
12	401-3017.7	O-RING	17.7*3	1
13	A514D	DRIVER		1
14	401-AS023	O-RING	AS023	1
15	A414D	CYLINDER		1
16	A434D	BUMPER		1
17	A004D	BODY		1
18	A0342	DRIVER SEAL		1
19	A04J-19	COUPLING PLUG		1
20	401-AS007	O-RING	AS007	1
21	A3244	TUBE		1
22	401-4.2*1.25	O-RING	4.2*1.25	2
23	401-P9	O-RING	P9	1
24	A6121	TRIGGER VALVE SEAT		1
25	A6321	TRIGGER VALVE STEM		1
26	401-2012	O-RING		1
27	A6221	TRIGGER VALVE GUIDE		1
28	A7221	TRIGGER SPRING		1
29	333-2.5	E-RING	2.5mm	1
30	A7421	TRIGGER		1
31	331-3*16.5	PIN	3*16.5	1
32	A7521	SELONDARY TRIGGER		1

TYI-0840PT PINNER PARTS LIST

INDEX NO	MFR.PART NO.	DESCRIPTION	SPEC.NO.	Q'TY
33	332-2.5*16	SPRING PIN	2.5*16	1
34	301-4*16	HEX.SOC.HD.BOLT	M4*16	2
35	321-4mm	SPRING WASHER	M4	5
36	B034D	PLATE B		1
37	301-4*14	HEX.SOC.HD.BOLT	M4*14	1
38	301-4*8	HEX.SOC.HD.BOLT	M4*8	2
39	B014D	COVER PLATE		1
40	B024D	GUIDE PLATE		1
41	A914D	SAFETY YOKE		1
42	A9246	PIPE		1
43	332-3	E-RING	3mm	1
44	A9321	SAFETY SPRING		1
45	B214D1	MAGAZINE SEAT		1
46	B2549	SPACER PLATE		1
47	B234D	RAILING PLATE		1
48	303-3*6	HEX.SOC.FLAT HEAD SCREW	M3*6	4
49	B424D	MAGAZINE CAP STOP		1
50	305-4*6	HEX.SOC.HD.BOLT		5
51	B414D1	MAGAZINE CAP		1
52	B674D	PUSHER STOP		1
53	B26491	PUSHER #1 (S)		6
54	B26492	PUSHER #2 (L)		2
55	B634D	PUSHER SPRING		8
56	B6149	PUSHER		1
57	331-3*21	LATCH PIN	3*21	1
58	401-P2	O-RING	P2	1
59	B714A	LATCH		1
60	B724A	LATCH SPRING		2
61	B734D	LATCH SUPPORT		1
62	B284D	SUPPORT		1
63	B764D	LATCH STOP		1
64	311-5mm	NUT		1