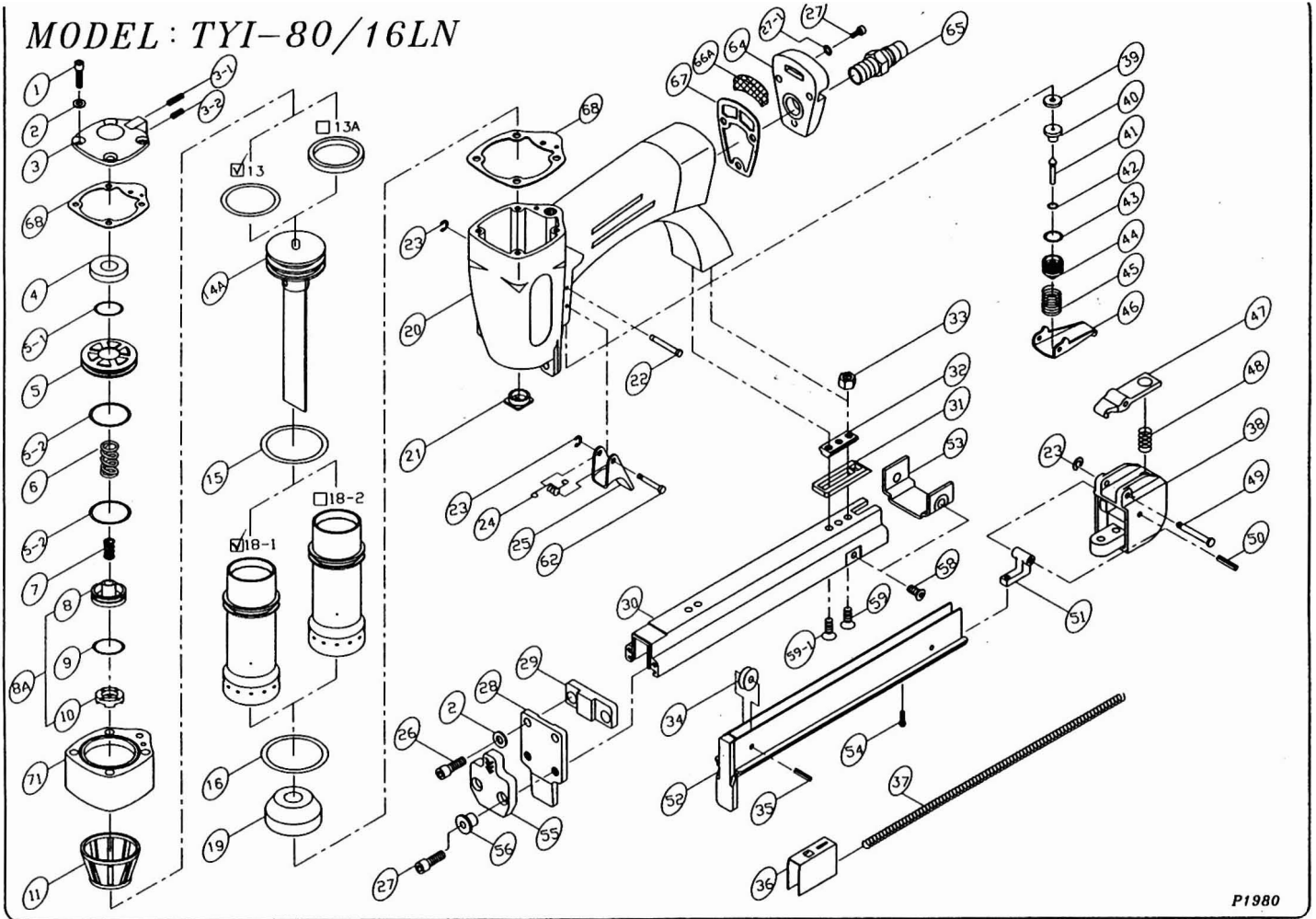


MODEL : TYI-80/16LN



P1980

PARTS LIST (TYI-80/16LN)

*When ordering spore ports, please state item no, part no. and description.

ITEM	PART NO	DESCRIPTION	ITEM	PART NO	DESCRIPTION	ITEM	PART NO	DESCRIPTION
1	HS0540B	HEX.SOC.HD.BOLT	26	HS0518B	HEX.SOC.HD.BOLT	55	16805501	NOSE COVER
2	SW0500W	SPRING WASHER	27	HS0412B	HEX.SOC.HD.BOLT	56	16805601	SOCKET
3	16800301	CAP	27-1	SW0400W	SPRING WASHER	58	FH0406B1	FLAT. HD.BOLT
3-1	SS0604S	SET SCREW	28	19103602	NOSE	59	FH0420B	FLAT. HD.BOLT
3-2	SS0404S	SET SCREW	29	10703801	SET PLATE	59-1	FH0416B	FLAT. HD.BOLT
4	10200501	SEAL	30	19103801	MAGAZINE	62	10206201	STEPPED PIN
5	16801301	PISTON STOPPER	31	16803101	SET PLATE	64	16806401	END CAP
5-1	OR1224R	O RING**	32	19003902	SET PLATE	65	12106401	AIR PLUG
5-2	OR2725R	O RING**	33	LN0400N	LOCK NUT	66A	16806601A	MUFFLER
6	16800501	SPRING**	34	16604201	SLIDE BLOCK	67	16806701	GASKET
7	10200401	SPRING	35	RP3012S	ROLLED PIN	68	16806801	GASKET**
8A	10200801A	PISTON HEAD VALVE ASM	36	10204501	PUSHER	71	19807101	AIR ROOM
8	10200801	PISTON HEAD VALVE	37	10404301	SPRING**			
9	OR2224R	O RING**	38	16803801	END COVER			
10	10201001	STOPPER	39	12103301	SEAL			
11	10201201	COLLAR	40	12103401	TRIGGER VALVE HEAD			
13	OR1830R	O RING**	41	12103501	TRIGGER VALVE STEM			
13A	11501301A	OIL-LESS PISTON RING	42	OR1919H	O RING**			
14A	19100802A	DRIVER ASSEMBLY**	43	OR1119R	O RING**			
15	OR3224R	O RING**	44	12103801	TRIGGER VALVE GUIDE			
16	OR2420R	O RING**	45	12103901	SPRING			
18-1	19801801	CYLINDER	46	10203001	TRIGGER			
18-2	19801801G	OIL-LESS CYLINDER	47	13908101	STOPPER			
19	11502001	BUMPER**	48	11106002	SPRING**			
20	16802001	BODY	49	13908401	STEPPED PIN			
21	10202101	JOINT GUIDE	50	RP3022S	ROLLED PIN			
22	10202201	STEPPED PIN	51	19004801	SET PLATE			
23	ER0200H	E RING	52	16604002A	STAPLE GUIDE UNIT			
24	11009101	TOR. SPRING	53	10205301	SET PLATE			
25	11002801	TRIGGER	54	HS0412B	HEX.SOC.HD.BOLT			

NO : P1980