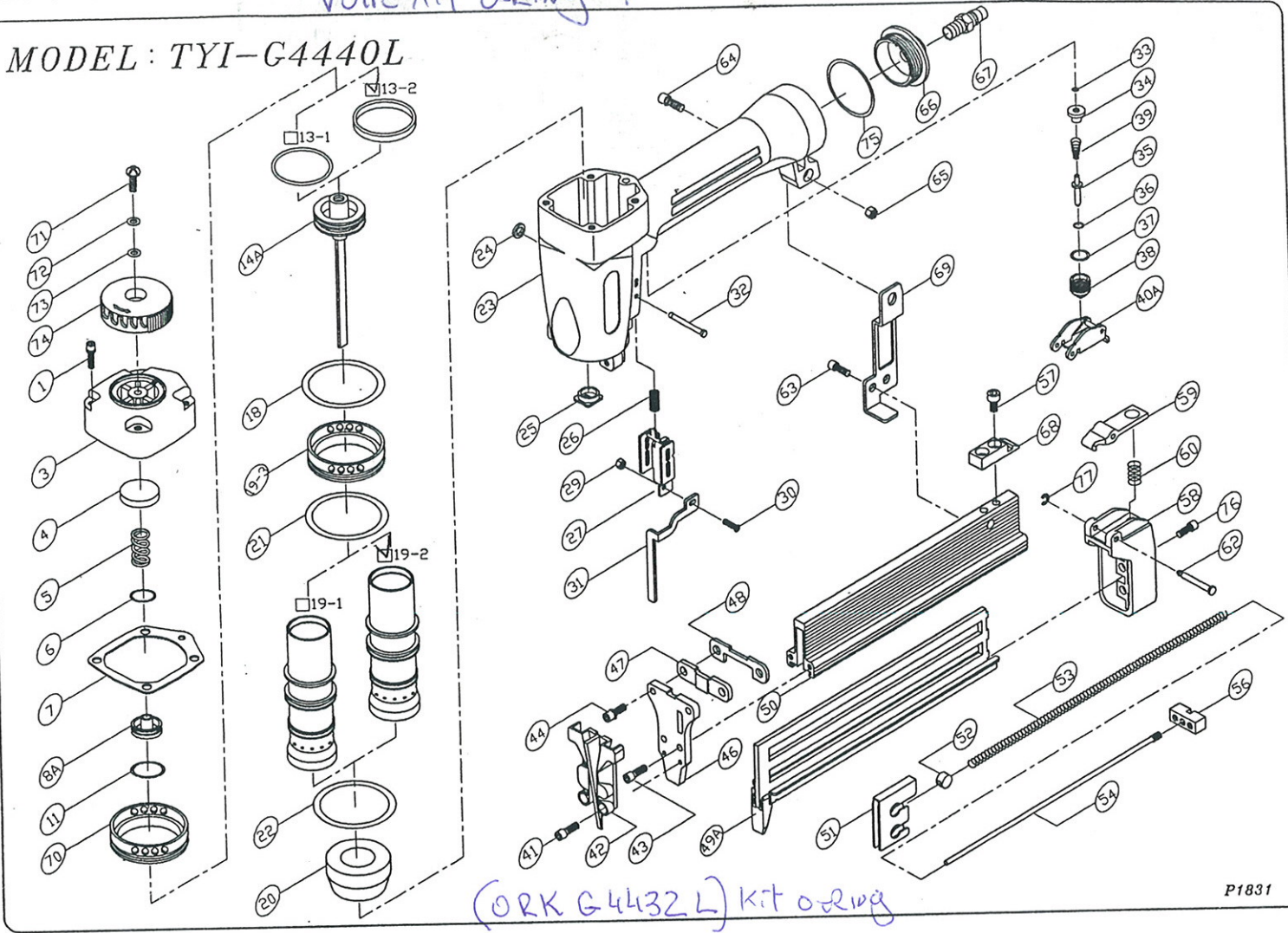


Voire Kit O-Ring

MODEL: TYI-G4440L



P1831

ITEM	PART NO	DESCRIPTION	ITEM	PART NO	DESCRIPTION	ITEM	PART NO	DESCRIPTION
1	HS0530BW	HEX. SOC. HD. BOLT+SW	40A	15104501A	TRIGGER ASSEMBLY	77	ERO200H	E RING
3	13900305	CAP	41	HS0408B	HEX. SOC. HD. BOLT			
4	12100401	SEAL**	42	14604201	NOSE COVER			
5	12100501	SPRING**	43	HS0416B	HEX. SOC. HD. BOLT			
6	OR1425R	O RING**	44	HS0520BW	HEX. SOC. HD. BOLT+SW			
7	11100701	CAP SEAL**	46	14304601	NOSE			
8A	13900801A	HEAD VALVE ASM.	47	11304701	SET PLATE			
11	OR3224R	O RING**	48	12504801	SET PLATE			
13-1	OR2635R	O RING**	49A	17104901A	STAPLE GUIDE UNIT			
13-2	13901305	PISTON RING	50	14305004	MAGAZINE			
14A	18301401A	DRIVER ASSEMBLY**	51	14305101	PUSHER			
18	OR4630R	O RING**	52	14305201	SLIDE BLOCK			
19-1	13301901	CYLINDER	53	11305301	SPRING**			
19-2	13301901G	CYLINDER	54	11305401	ROD			
19-3	13901903	COLLAR	56	11305601	SET BLOCK			
20	13902001	BUMPER**	57	HS0408B	HEX. SOC. HD. BOLT			
21	OR3520R	O RING**	58	12505802	END CORE			
22	OR3635R	O RING**	59	13908101	STOPPER			
23	13902301	BODY	60	11106002	SPRING**			
24	OR1919H	O RING**	62	13908401	STEPPED PIN			
25	17102501	JOINT GUIDE	63	HS0410B	HEX. SOC. HD. BOLT			
26	11002601	SPRING	64	HS0516B	HEX. SOC. HD. BOLT			
27	11002701	GUIDE SAFETY LEVER	65	LN0500N	LOCK NUT			
29	LN0300N	LOCK NUT	66	11106601	COVER			
30	CH0308B	CAP. HD. SCREW	67	12106401	AIR PLUG			
31	12703101	SAFETY LEVER	68	12506801	SET PLATE			
32	12103202	STEPPED PIN	69	12706901	BRACKET			
33	OR0319R	O RING**	70	13907001	COLLAR			
34	11003401	TRIGGER VALVE HEAD	71	US0506B	UM. HD. BOLT			
35	11003503	TRIGGER VALVE STEM	72	FW0512W	FLAT WASHER			
36	OR2515H	O RING**	73	12103301	SEAL			
37	OR1119R	O RING**	74	13907403	EXHAUST COVER			
38	11003803	TRIGGER VALVE GUIDE	75	OR4030R	O RING**			
39	11003901	TRIGGER VALVE GUIDE	76	US0516B	HEX. SOC. HD. BOLT			

MAN: P1831