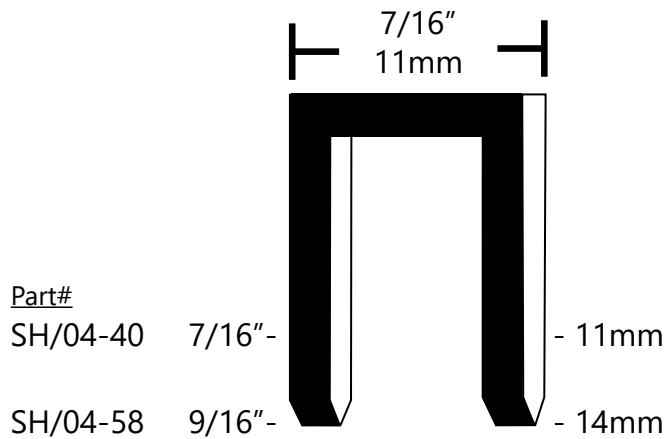


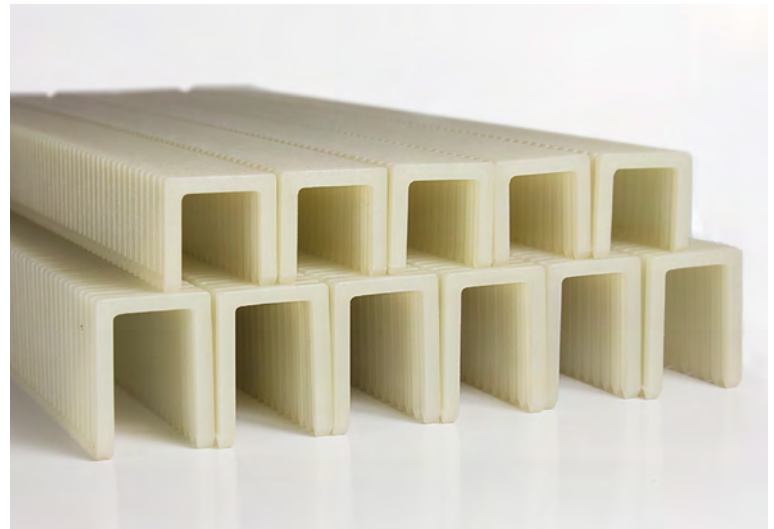
Fastener Type

RAPTOR® SH/04

16 Gauge Composite Staple



Packaging: 5040 staples per box • 20 boxes per case



BENEFITS

- ✓ **Sawable, Sandable & Planeable**
- ✓ **Never Rusts or Corrodes**
- ✓ **Bonds Like Glue**
- ✓ **Completely Non-Metal**

APPLICATIONS

Lumber wrap
Lumber tagging
Boatbuilding
Fiberglass lay up
Composites manufacturing
Radiant barrier installation
Wire installation
House wrap
Casket lining
Casegoods tagging

TOOLS

Pneumatic:
OMER 83P Series
RC-SH/04 Cap Stapler

Manual:
RAPTOR® G-3PS
Hammer Tacker (<9/16")
RAPTOR® CT-H7000P
Compression Tacker (<9/16")

Material Grades:

Standard Material: Provides the best drivability. It is not recommended for high speed steel moulder knives but it is fine for carbide blades. In one particular customer test, Titan V24RW, BB knives were used with our standard RAPTOR® product fastened in a line and the knives showed no signs of damage.

LF Material: Safe for most moulder blades but drivability is somewhat compromised.

NF Material: Safe for all delicate blades but drivability is somewhat compromised.

Colors: RAPTOR® fasteners are available in colors such as White, Brown, Redwood, Cedar, Blue, Red and Gray. Please contact us for minimum order requirements and lead times.

